

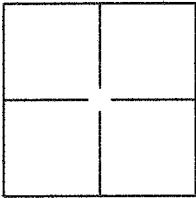
# CORNER RECORD

Document Number \_\_\_\_\_

City of SAN GERONIMO

County of MARIN, California

Brief Legal Description LOT 7 OF "MAP OF SAN GERONIMO VALLEY, UNIT ONE," (14 MAPS 18) COMMONLY KNOWN AS 385 SAN GERONIMO VALLEY DRIVE, SAN GERONIMO, CA-APN 170-172-04



### CORNER TYPE

Government Corner  Control   
 Meander  Property   
 Rancho  Other

Date of Survey DECEMBER 21, 2013

### COORDINATES (Optional)

N. \_\_\_\_\_  
 E. \_\_\_\_\_  
 Zone \_\_\_\_\_ NAD27  NAD83   
 NAD83 Epoch \_\_\_\_\_  
 Elev. \_\_\_\_\_  
 Vert. Datum: NGVD29  NAVD88   
 Meas. Units: Metric  Imperial

Corner - Left as found  Found and tagged  Established  Reestablished  Rebuilt

Identification and type of corner found: Evidence used to identify or procedure used to establish or reestablish the corner:

SEE PAGE 2

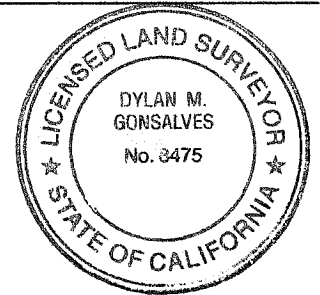
A description of the physical condition of the monument as found and as set or reset: \_\_\_\_\_

SEE PAGE 2

### SURVEYOR'S STATEMENT

This Corner Record was prepared by me or under my direction in conformance with  
 the Land Surveyor's Act on JANUARY 6, 2014.

Signed *Dylan M. Gonsalves* P.L.S. or R.C.E. No.: 8475



### COUNTY SURVEYOR'S STATEMENT

This Corner Record was received JAN. 07, 2014, FEB. 11, 2014 and examined  
 and filed FEBRUARY 13, 2014.

Signed *Richard G. Simonitch* P.L.S. or R.C.E. No.: 7821

Title DEPUTY

County Surveyor's Comment \_\_\_\_\_








**BASIS OF BEARINGS**

A LINE BETWEEN TWO MONUMENTS SHOWN ON 14 MAPS 18, MARIN COUNTY RECORDS, HAVING A CALCULATED BEARING OF NORTH 84°09'40" EAST.

**NOTES:**

1. DISTANCES AND DIMENSIONS SHOWN HEREON ARE GIVEN IN FEET AND DECIMALS THEREOF.
2. MONUMENT LOCATIONS MAY BE EXAGGERATED FOR CLARITY.

**LEGEND**

BOUNDARY	
MONUMENT LINE	
RADIAL OR TIE LINE	
FD. BRASS PIN IN CONCRETE IN STREET MONUMENT WELL PER 14 MAPS 18	
SET 5/8" REBAR & PLASTIC CAP "PLS 8475"	
TOTAL	(T)
RADIAL BEARING	(R)

