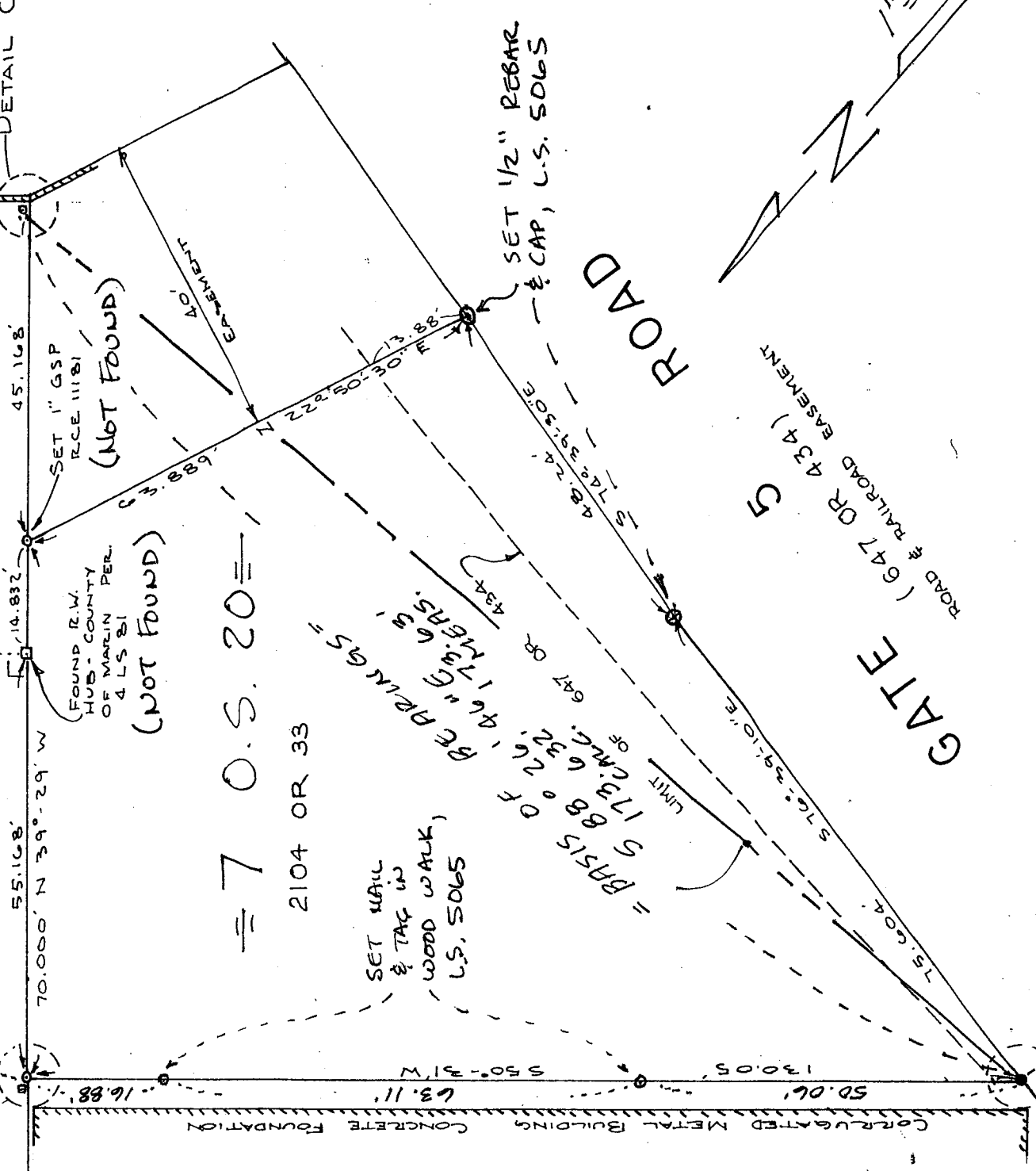


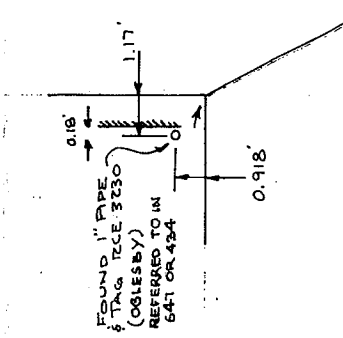
SET 1/2" REBAR & CAP,  
L.S. 5065

DETAIL "C"  
N 50° 31' E



≅ 7 O.S. 20

2104 OR 33



DETAIL "C"  
NO SCALE