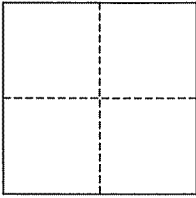


CORNER RECORD

City of Belvedere

Document Number AP# 060-154-10
County of Marin, California

Brief Legal Description Lot 8, Blk. E, 5 RM 68



CORNER TYPE

Government Corner Control
Meander Property
Rancho Other
Date of Survey December 20, 2006

COORDINATES (Optional)

N. _____
E. _____
Zone _____ NAD27 NAD83
NAD83 Epoch _____
Elev. _____
Vert. Datum: NGVD29 NAVD88
Meas. Units: Metric Imperial

Corner- Left as found Found and tagged Established Reestablished Rebuilt

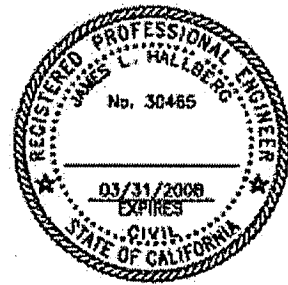
Identification and type of corner found: Evidence used to identify or procedure used to establish or reestablish the corner:
Found Street Monument & Rail Road Spike per 5 RM 68

A description of the physical condition of the monument as found and as set or reset: Set Nail & Tag, Rebar & Cap, and Iron Pipe & Plug (RCE 30465) as shown and per 5 RM 68

SURVEYOR'S STATEMENT

This corner Record was prepared by me or under my direction in conformance with the Land Surveyor's Act on January 2, 2007

Signed [Signature] P.L.S. or R.C.E. No. 30465



COUNTY SURVEYOR'S STATEMENT

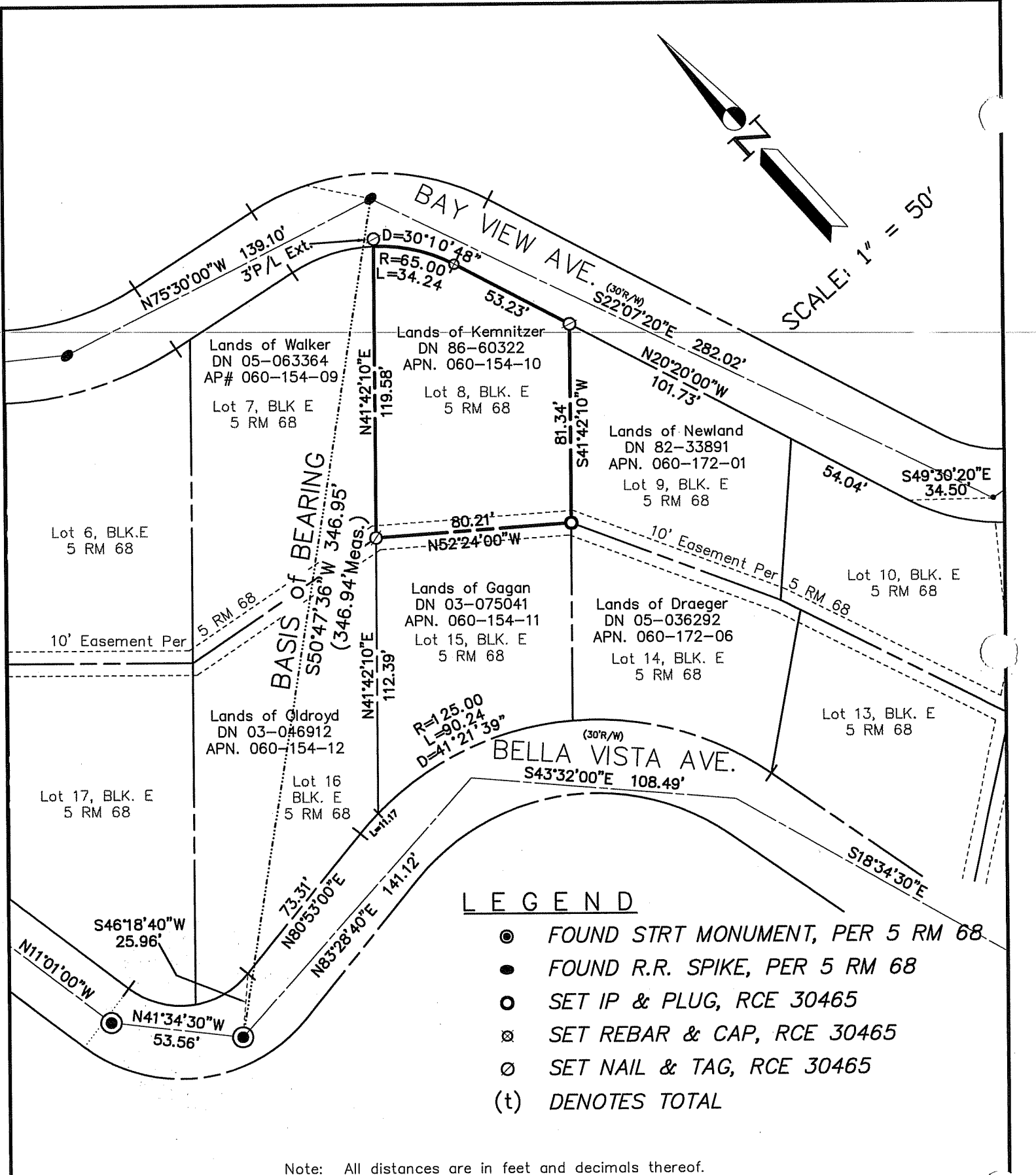
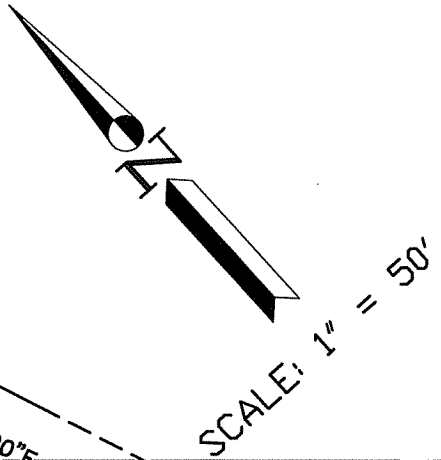
This Corner Record was received JANUARY 5, 2007 and examined and filed JANUARY 10, 2007

Signed [Signature] P.L.S. or R.C.E. No. 7128

Title COUNTY SURVEYOR



County Surveyor's Comment _____



LEGEND

- ⊙ FOUND STRT MONUMENT, PER 5 RM 68
- FOUND R.R. SPIKE, PER 5 RM 68
- SET IP & PLUG, RCE 30465
- ⊗ SET REBAR & CAP, RCE 30465
- ⊖ SET NAIL & TAG, RCE 30465
- (t) DENOTES TOTAL

Note: All distances are in feet and decimals thereof.

SHEET	1	OF	1
SCALE:	1" = 50'	DESIGN:	P.R.
DATE:	Jan. 2007	DRAWN:	P.R.
FILE:	2006-131	CHECKED:	J.L.H
2006-131\DWG\ROS-CORREC.DWG,COR-REC			

J.L. ENGINEERING
 CIVIL ENGINEERS-LAND SURVEYORS
 1539 4th ST., SAN RAFAEL, CA. 94901 (415) 457-6647

Corner Record
 Lands of Kemnitzer - 125 Bay View Ave.
 APN 060-154-10, Belvedere, Marin County, CA