

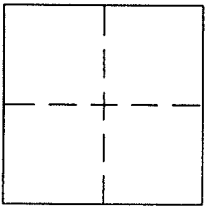
# CORNER RECORD

Document Number APN 048-124-14

City of MILL VALLEY

County of MARIN, California

Brief Legal Description LOT 46 BLOCK 2 AS SHOWN ON THE MAP ENTITLED "SUBDIVISION ONE TAMARIN HIGHLANDS" FILED JANUARY 1929 IN VOL. 5 MAPS PAGE 54, MARIN COUNTY RECORDS



### CORNER TYPE

Government Corner  Control   
 Meander  Property   
 Rancho  Other   
 Date of Survey 1/22/2016

### COORDINATES (Optional)

N. \_\_\_\_\_  
 E. \_\_\_\_\_  
 Zone \_\_\_\_\_ NAD27  NAD83   
 NAD83 Epoch \_\_\_\_\_  
 Elev. \_\_\_\_\_  
 Vert. Datum: NGVD29  NAVD88   
 Meas. Units: Metric  Imperial

Corner - Left as found  Found and tagged  Established  Reestablished  Rebuilt

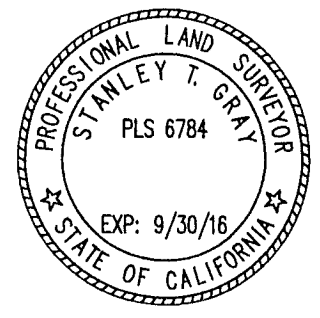
Identification and type of corner found: Evidence used to identify or procedure used to establish or reestablish the corner:  
SEE PAGE 2

A description of the physical condition of the monument as found and as set or reset:  
SEE PAGE 2

### SURVEYOR'S STATEMENT

This Corner Record was prepared by me or under my direction in conformance with the Land Surveyor's Act on 219 2016

Signed [Signature] P.L.S. or R.C.E./No. 6784



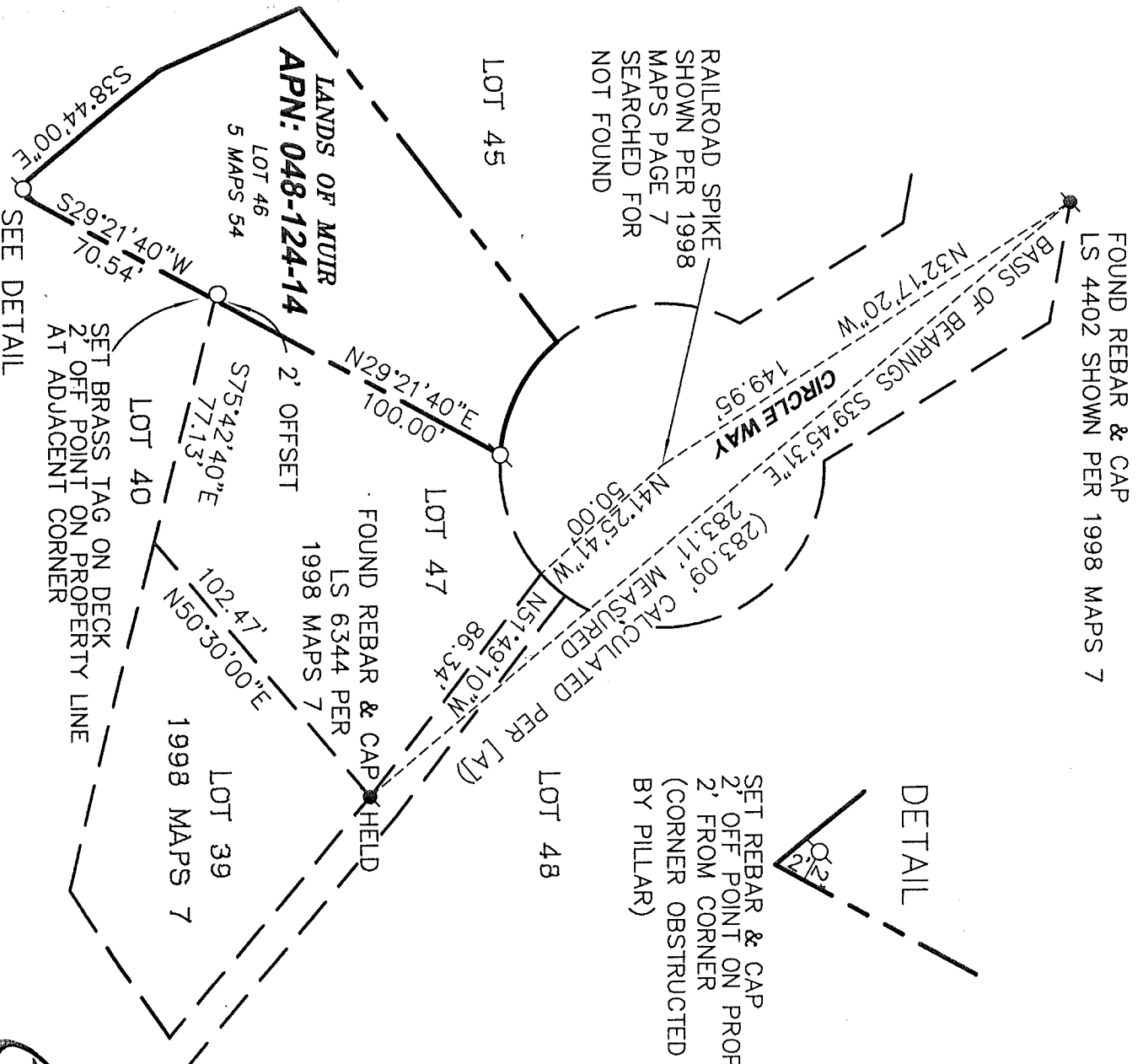
### COUNTY SURVEYOR'S STATEMENT

This Corner Record was received FEBRUARY 17, 2016 and examined and filed MARCH 3, 2016

Signed [Signature] P.L.S. or R.C.E. No. 7821  
Title County Surveyor

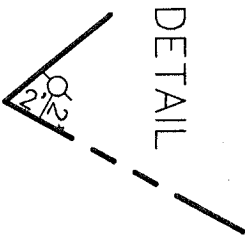


County Surveyor's Comment \_\_\_\_\_

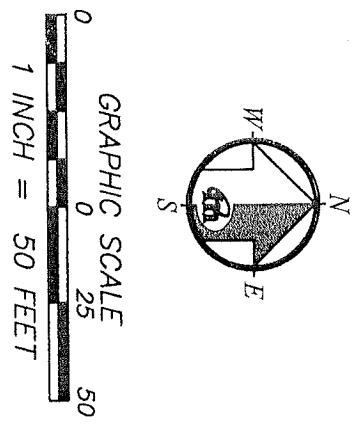


FOUND REBAR & CAP  
LS 4402 SHOWN PER 1998 MAPS 7

RAILROAD SPIKE  
SHOWN PER 1998  
MAPS PAGE 7  
SEARCHED FOR  
NOT FOUND



SET REBAR & CAP  
2' OFF POINT ON PROP. LINE  
(CORNER OBSTRUCTED  
BY PILLAR)



**REFERENCES**

\*SUBDIVISION ONE TAMARIN HIGHLANDS\*  
FILED FOR RECORD JANUARY 1929 IN  
VOLUME 5 OF MAPS, AT PAGE 54,  
MARIN COUNTY RECORDS.

[A] \*RECORD OF SURVEY\* FILED FOR  
RECORD JANUARY 26 1998 IN  
VOLUME 1998 OF MAPS, AT PAGE  
7, MARIN COUNTY RECORDS.

**LEGEND**

- ⊗ FOUND AS NOTED
- ⊙ SET 5/8" REBAR WITH CAP,  
PLS. 6784
- SET BRASS TAG, PLS 6784

NOTE:  
RECORD=MEASURED.

**CORNER RECORD**

**MERIDIAN SURVEYING**  
ENGINEERING, INC.

2958 VAN NESS AVENUE (16001) 777 GRAND AVENUE, #202  
SAN FRANCISCO, CA 94109 SAN RAFAEL, CA 94901  
(415) 440-4131 info@meridiansurvey.com (415) 456-5450