

CORNER RECORD

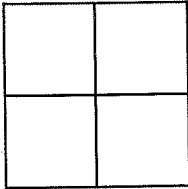
Agency Index DPW# 17-136

Document Number APN 028-213-45 ADJ

City of MILL VALLEY

County of MARIN, California

Brief Legal Description MILLER AVENUE, SOUTH OF WILLOW STREET INTERSECTION



CORNER TYPE

Government Corner Control
 Meander Property
 Rancho Other

Date of Survey 09/26/2017

COORDINATES (Optional)

N. _____ E. _____
 Elevation _____
 Units Metric U.S. Survey Foot
 Horizontal Datum _____
 Zone _____ Epoch Date _____
 Vertical Datum _____
 Complies with Public Resources Code §§8801-8819
 Complies with Public Resources Code §§8890-8902

PLS Act Ref: 8765(d) 8771 8773 Other:
 Corner/Monument: Left as found Established Rebuilt Pre-Construction
 Found and tagged Reestablished Referenced Post-Construction

Narrative of corner identified and monument as found, set, reset, replaced, or removed:

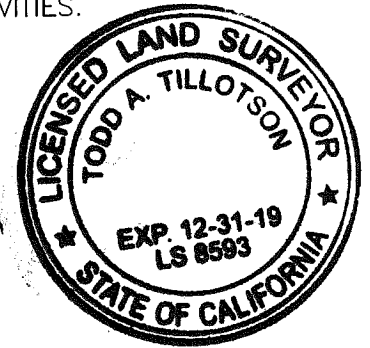
See sheet #2 for description (s):

FOUND BRASS DISK WITH CUT CROSS IN MONUMENT WELL. LOCATED ON THE SOUTHERLY CONCRETE SIDEWALK OF MILLER AVENUE, APPROXIMATELY 170 FEET SOUTHEASTERLY OF THE INTERSECTION OF MILLER AVENUE AND WILLOW STREET. PER RECORD OF SURVEY AT BOOK 31 OF SURVEYS, AT PAGE 9, MARIN COUNTY RECORDS. SET REFERENCE POINTS TO BE USED TO RESET MONUMENT SHOULD IT BE DISTURBED DURING CONSTRUCTION ACTIVITIES.

SURVEYOR'S STATEMENT

This Corner Record was prepared by me or under my direction in conformance with the Professional Land Surveyors' Act on 01/15/2018

Signed [Signature] (P.L.S.) or R.C.E. No. 8593



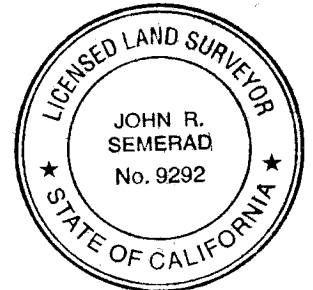
COUNTY SURVEYOR'S STATEMENT

This Corner Record was received DECEMBER 21, 2017

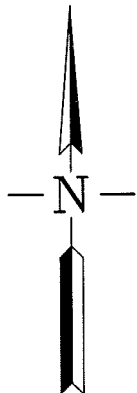
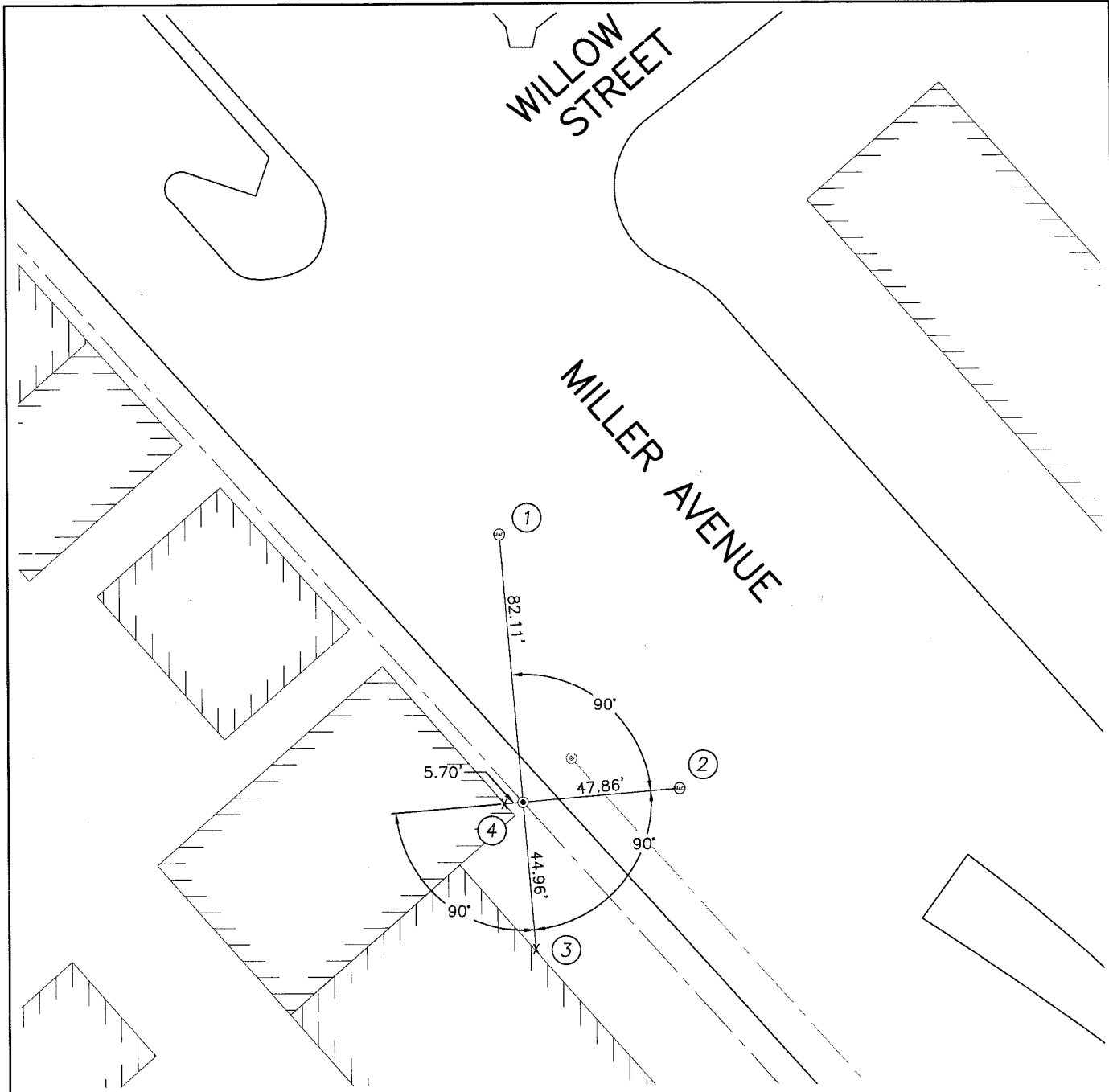
and examined and filed 04/10/2018

Signed [Signature] P.L.S. or R.C.E. No. 9292








Title DEPUTY C.S.



County Surveyor's Comment _____



NOT TO SCALE

LEGEND	
	BUILDING
	CURB
	REFERENCE LINE
	FOUND CITY MONUMENT SET PER 31 OS 09
	REFERENCE POINT
	SET MAG NAIL
	SET CUT CROSS

REFERENCE DATA

1. SET MAG NAIL IN STREET
2. SET MAG NAIL IN STREET
3. SET CUT CROSS ON CONCRETE
SIDEWALK NEAR 336 MILLER AVENUE.
4. SET CUT CROSS AT EDGE OF BUILDING,
332 MILLER AVENUE.