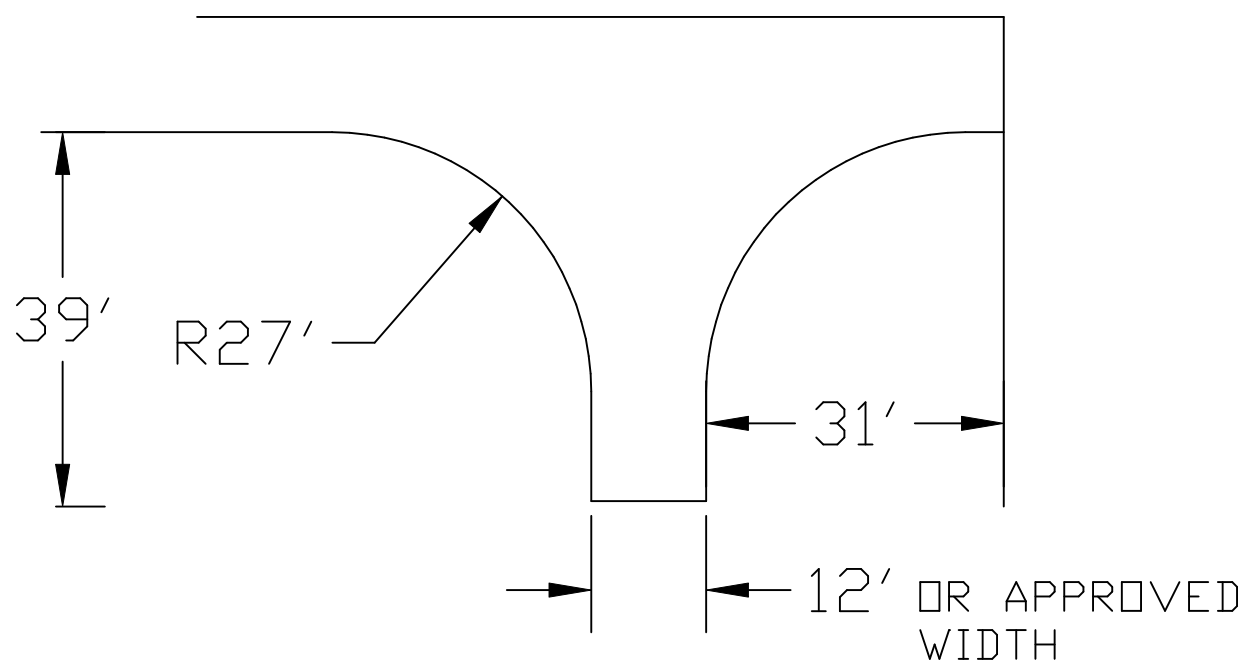




REVISIONS

ZONE	REV	DESCRIPTION	DATE	APPROVED
------	-----	-------------	------	----------



		MARIN COUNTY FIRE DEPARTMENT LAND DEVELOPMENT STANDARD			
		RESIDENTIAL HAMMERHEAD TURNAROUND			
S.D. ALBER, P.E. FIRE MARSHAL	SIZE A4	FSCM NO.	DWG NO. 2008-HAMMERHEAD-20	REV	
DATE: 4/3/08	SCALE 1"=20'				SHEET 1 OF 1

