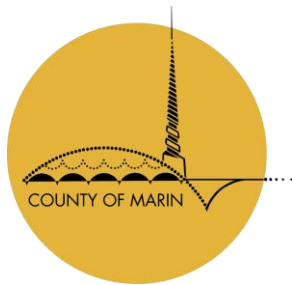


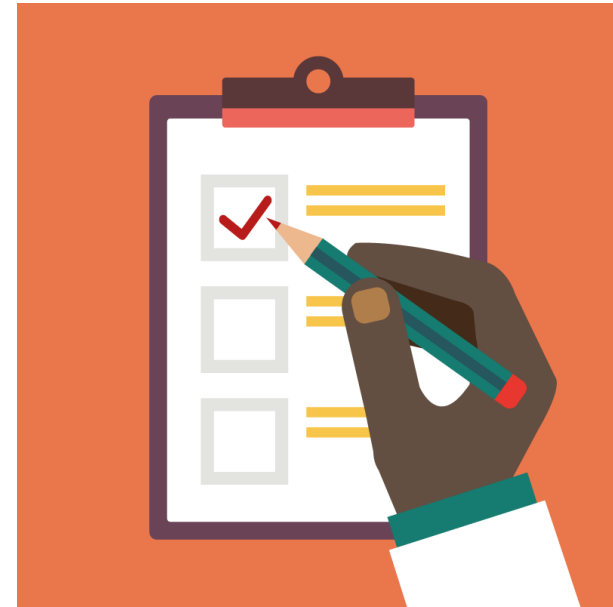
Accessible Podium Discussion

Laney Davidson
Disability Access Manager / ADA Coordinator



Agenda

- **Program Introduction**
- **Legal Overview**
- **Programmatic Access and Program Modification**
- **Podium Requirements**
- **Discussion**



Disability Access Program

Vision:

Our vision is for a County of Marin that is one hundred percent accessible to all.

Mission:

Our mission is to ensure that all county programs, services, activities and facilities are accessible to and usable by all the people of Marin County as well as our visitors.



Disability Access includes:

All of the County's programs, services, activities and facilities.

5 areas of program focus:

- Architectural Accessibility (including outdoor areas and the public right-of-way);
- Employment;
- Emergency Preparedness and Response;
- Programmatic Accessibility;
- Digital Accessibility.



Federal and State Laws (partial list)

Federal Laws

- Americans with Disabilities Act (ADA)
- 1973 Rehabilitation Act as amended in 1998
- ADA Standards

California State Laws

- California Building Code (Built Environment)





Programmatic access and Program Modification

Integration, inclusion, equity



Programmatic Access

Programmatic access means that a person with a disability can participate in a program or service offered by a public entity (state or local government), so long as there is some reasonable way to make it happen.

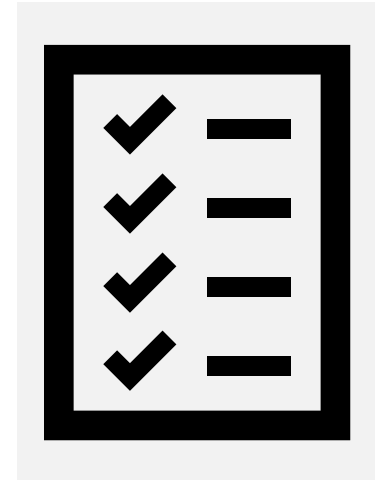


Program Modification

One of the central requirements of the ADA is the obligation to make “reasonable modifications in policies, practices, and procedures” to avoid unnecessary exclusion of individuals with disabilities.

Exception:

- Requests only need to be granted if they are disability-related and “reasonable.” Modifications do not need to be made if they would compromise legitimate safety rules or “fundamentally alter” the essential nature of services or programs.

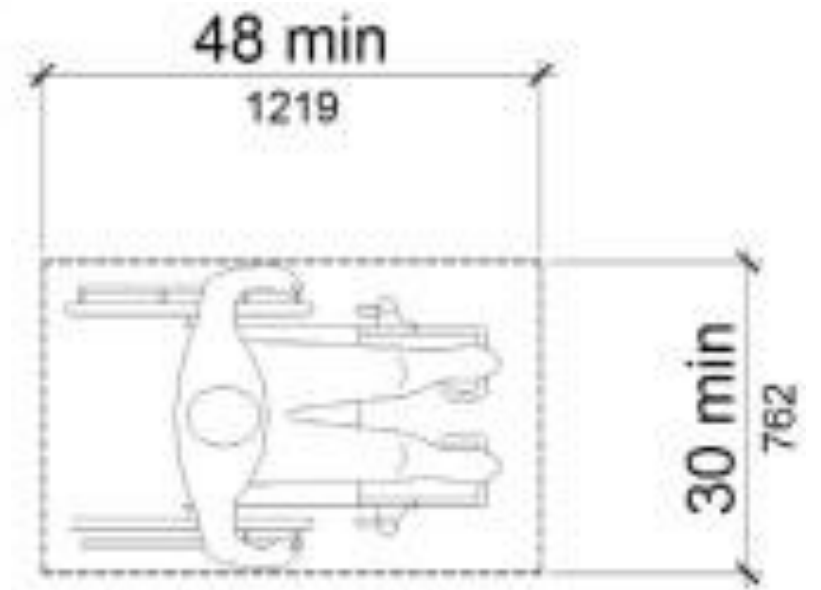
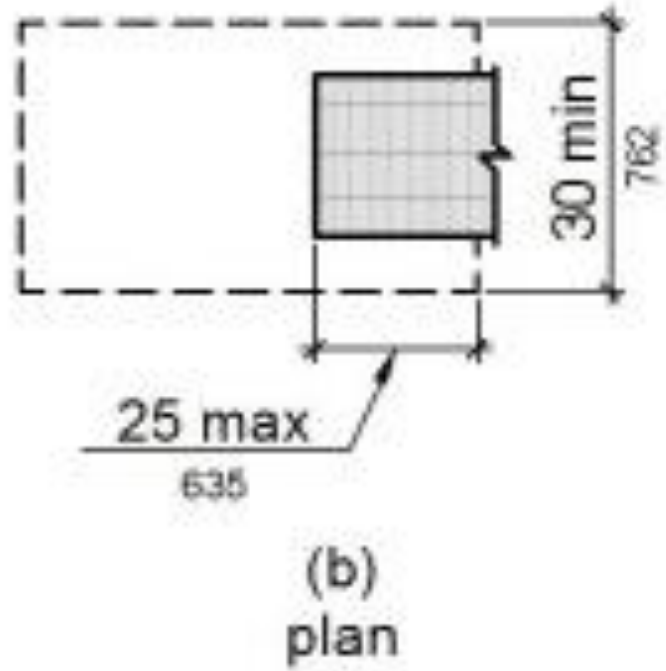
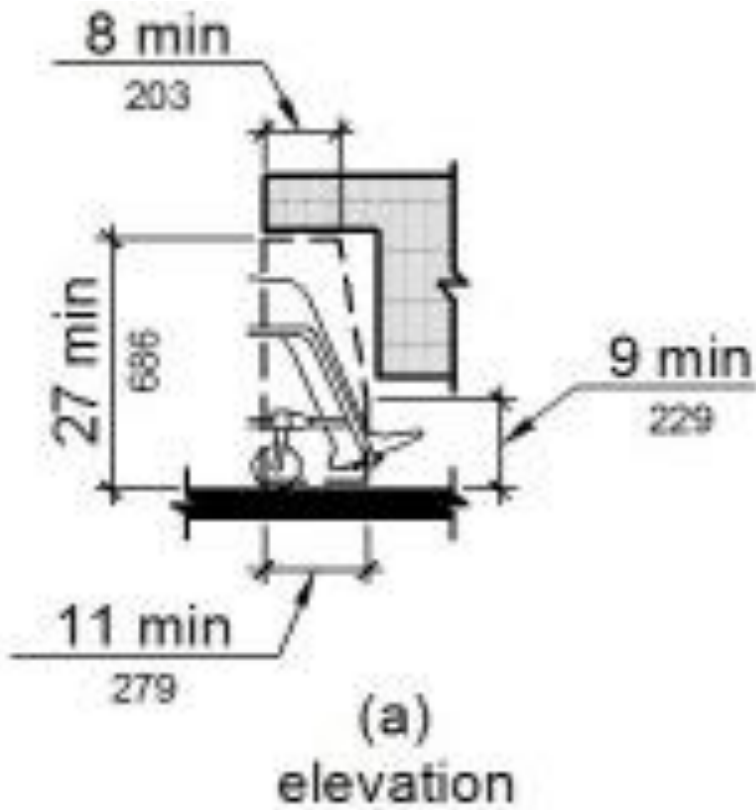




What is required on an accessible podium?

Measuring Accessibility





Dimensions and Clearances

Accessible Option



Discussion

Thank you!

