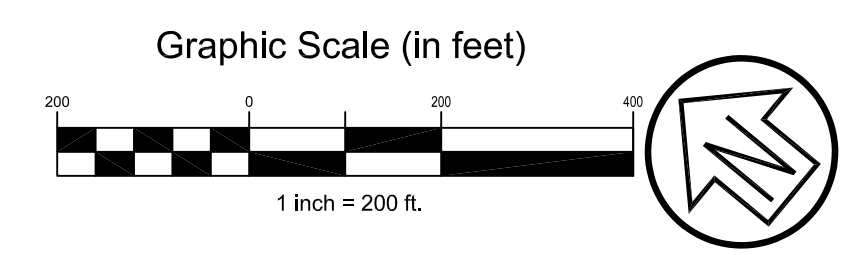


LEGEND

- CUT
- FILL

GRADING QUANTITIES

CUT: 220,000 CU. YD.
 FILL: 220,000 CU. YD.
 NET: 0 CU. YD.



NORTH COAST
 LAND HOLDINGS
 L L C
 201 Seminary Drive
 Mill Valley, CA 94941



CSW ST 2
CSW/Stuber-Stroeh
 Engineering Group, Inc.
 45 Leveroni Court
 Novato, CA 94949 Tel: 415.883.9850
 Fax: 415.883.9835

REV	DATE	DESCRIPTION
10.05.2015		PLANNING SUBMITTAL SET
05.16.2016		PLANNING RESUBMITTAL SET
01.31.2020		PLANNING / MP RESUBM SET

THE SEMINARY
 201 SEMINARY DRIVE
 MILL VALLEY, CA 94941

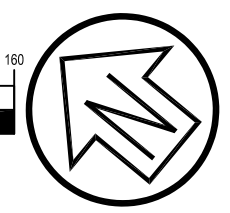
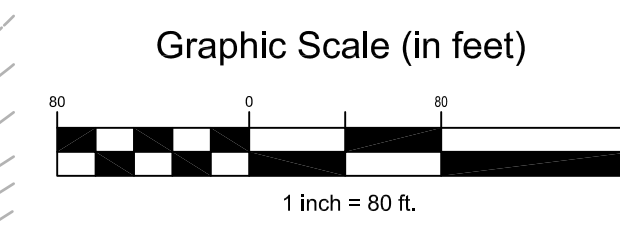
CUT - FILL PLAN - OVERALL
 1" = 200'

SITE / BLDG. TYPE
00
 SHEET NO.
C7.03



LEGEND

- CUT
- FILL



NORTH COAST
 LAND HOLDINGS
 L L C
 201 Seminary Drive
 Mill Valley, CA 94041



CSW | ST 2
CSW/Stuber-Stroeh
 Engineering Group, Inc.
 45 Leveroni Court
 Novato, CA 94949 Tel: 415.883.9850
 Fax: 415.883.9835

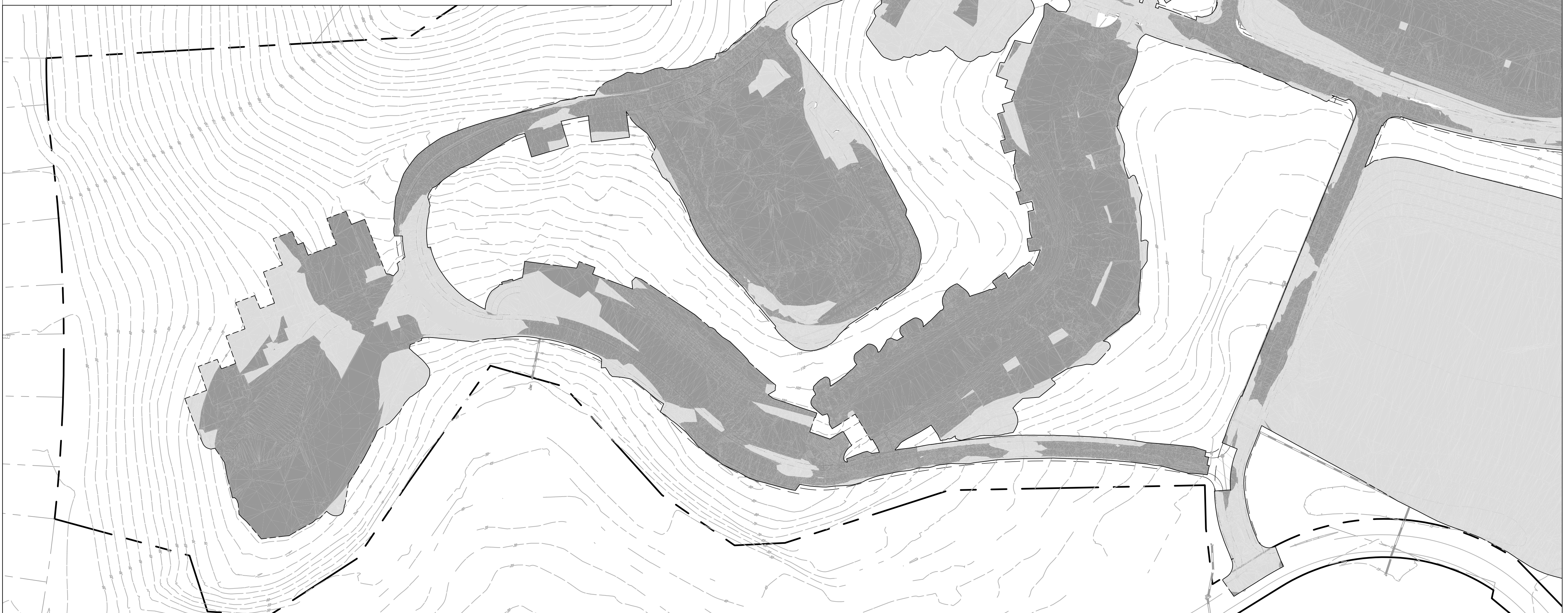
REV	DATE	DESCRIPTION
	10.05.2015	PLANNING SUBMITTAL SET
	05.16.2016	PLANNING RESUBMITTAL SET
	01.31.2020	PLANNING / MP RESUBM SET

THE SEMINARY
 201 SEMINARY DRIVE
 MILL VALLEY, CA 94041

CUT - FILL PLAN - EAST
 1" = 80'

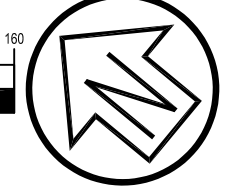
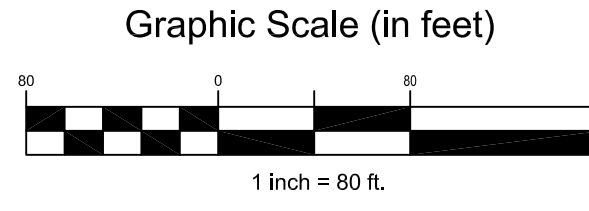
SITE / BLDG. TYPE
00

SHEET NO.
C7.10



LEGEND

- CUT
- FILL



NORTH COAST
LAND HOLDINGS
L L C

201 Seminary Drive
Mill Valley, CA 94941



CSW | ST 2

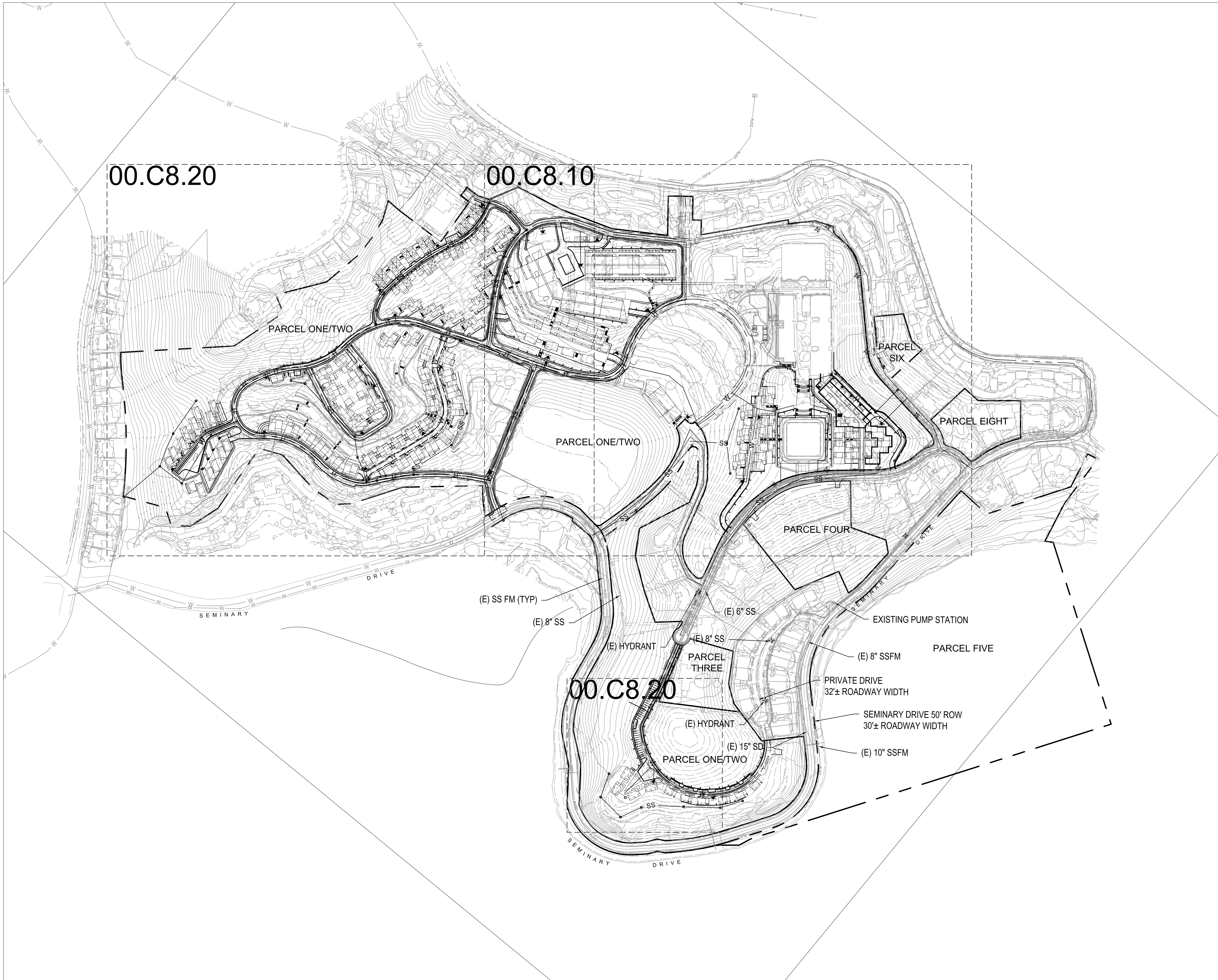
CSW/Stuber-Stroeh
Engineering Group, Inc.
45 Leveroni Court
Novato, CA 94949 Tel: 415.883.9850
Fax: 415.883.9835

REV	DATE	DESCRIPTION
10.05.2015		PLANNING SUBMITTAL SET
05.16.2016		PLANNING RESUBMITTAL SET
01.31.2020		PLANNING / MP RESUBM SET

THE SEMINARY
201 SEMINARY DRIVE
MILL VALLEY, CA 94941

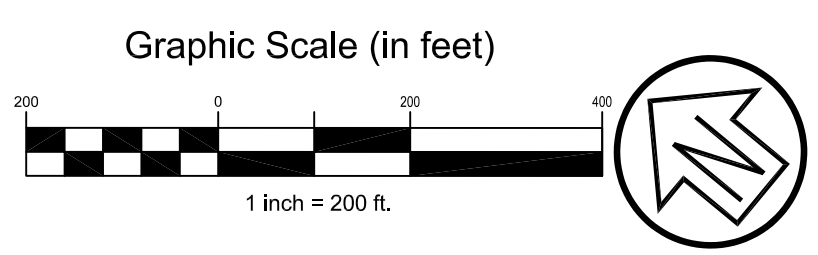
CUT - FILL PLAN
WEST & SOUTH
1" = 80'

SITE / BLDG. TYPE
00
SHEET NO.
C7.20



UTILITY PROVIDERS

NATURAL GAS:	PG&E
ELECTRICAL:	PG&E
SEWER:	RICHARDSON BAY SANITARY DISTRICT
STORM DRAIN:	MARIN COUNTY
WATER:	MARIN MUNICIPAL WATER DISTRICT
TELEPHONE:	PAC BELL



NORTH COAST
LAND HOLDINGS
L L C
201 Seminary Drive
Mill Valley, CA 94941



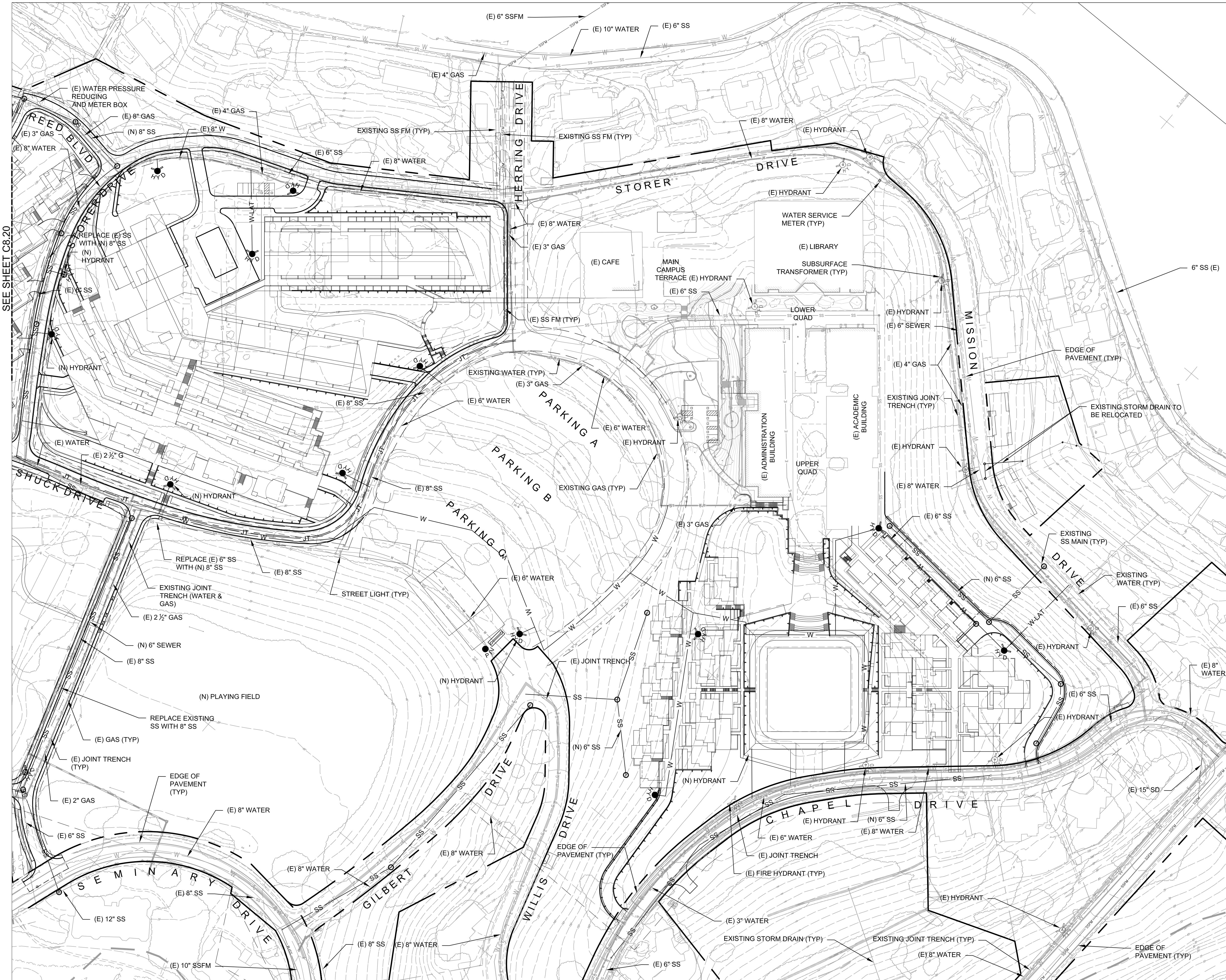
CSW | ST 2
CSW/Stuber-Stroeh
Engineering Group, Inc.
45 Leveroni Court
Novato, CA 94949 Tel: 415.883.9850
Fax: 415.883.9835

REV	DATE	DESCRIPTION
	10.05.2015	PLANNING SUBMITTAL SET
	05.16.2016	PLANNING RESUBMITTAL SET
	01.31.2020	PLANNING / MP RESUBM SET

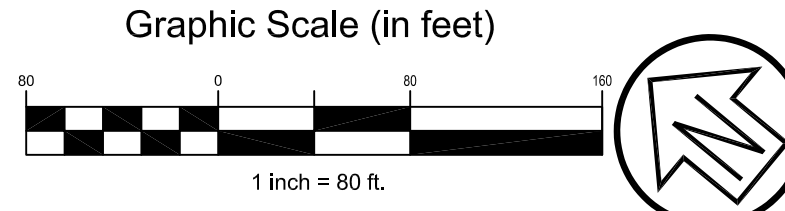
THE SEMINARY
201 SEMINARY DRIVE
MILL VALLEY, CA 94941

UTILITY PLAN
OVERALL
1" = 200'

SITE / BLDG. TYPE
00
SHEET NO.
C8.03



SEE SHEET C8.20



NORTH COAST
LAND HOLDINGS
L.L.C.

201 Seminary Drive
Mill Valley, CA 94941



CSW ST 2

CSW/Stuber-Stroeh
Engineering Group, Inc.
45 Leveroni Court
Novato, CA 94949 Tel: 415.883.9850
Fax: 415.883.9835

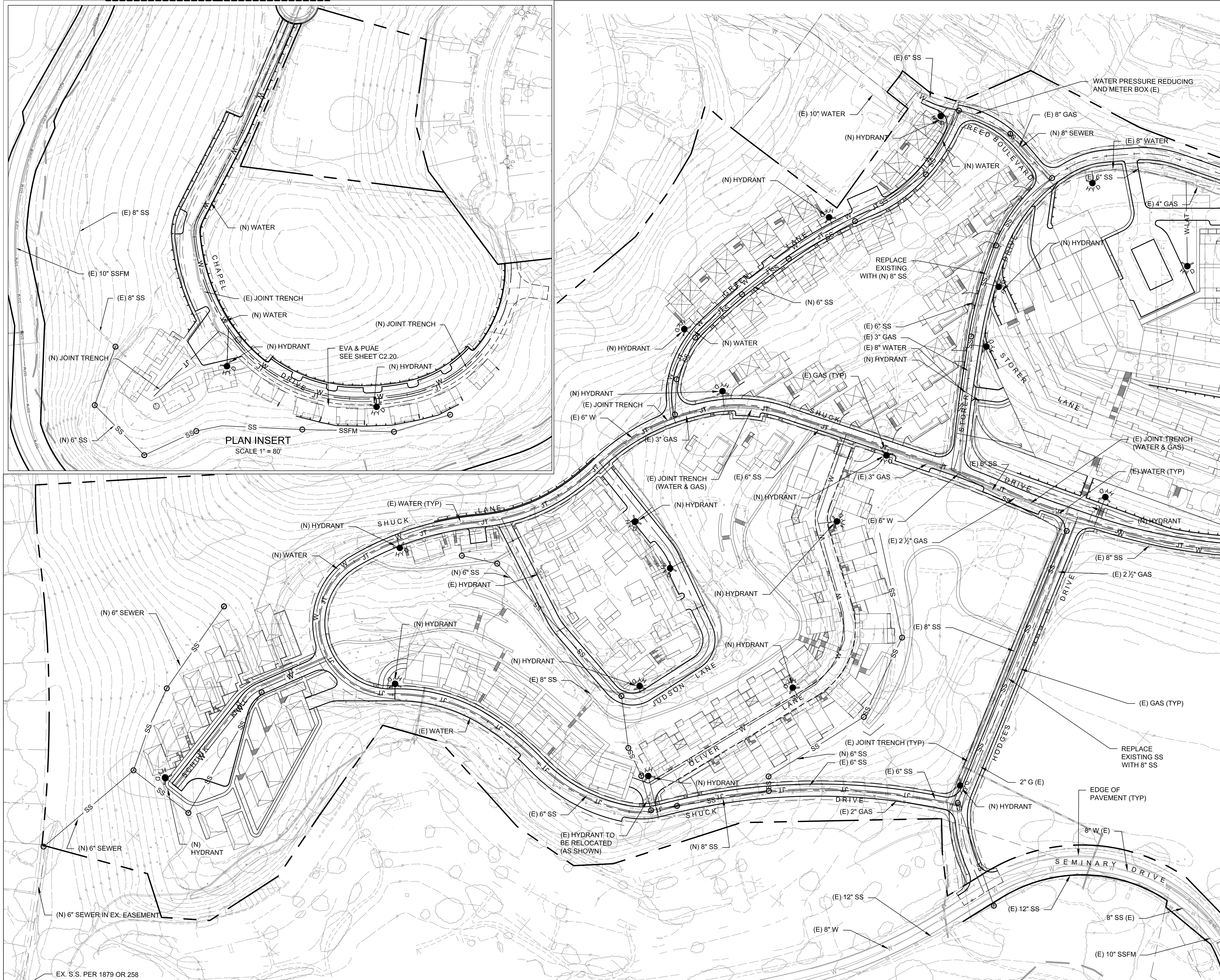
REV	DATE	DESCRIPTION
	10.05.2015	PLANNING SUBMITTAL SET
	05.16.2016	PLANNING RESUBMITTAL SET
	01.31.2020	PLANNING / MP RESUBM SET

THE SEMINARY
201 SEMINARY DRIVE
MILL VALLEY, CA 94941

UTILITY PLAN
EAST
1" = 80'

SITE / BLDG. TYPE
00
SHEET NO.
C8.10

SEE SHEET C8.03



NORTH COAST
LAND HOLDINGS
L.L.C.

201 Seminary Drive
Mill Valley, CA 94941



CSW ST 2

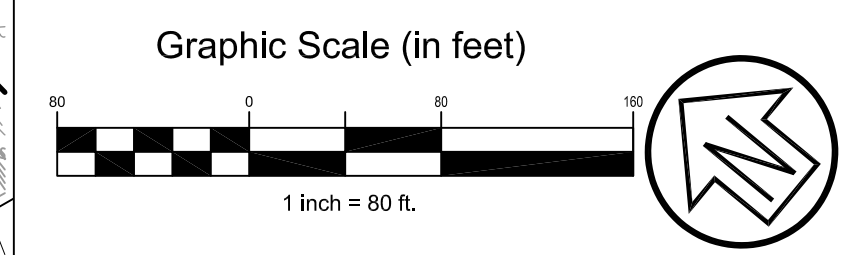
CSW/Stuber-Stroeh
Engineering Group, Inc.
45 Leveroni Court
Novato, CA 94949
Tel: 415.883.9850
Fax: 415.883.9835

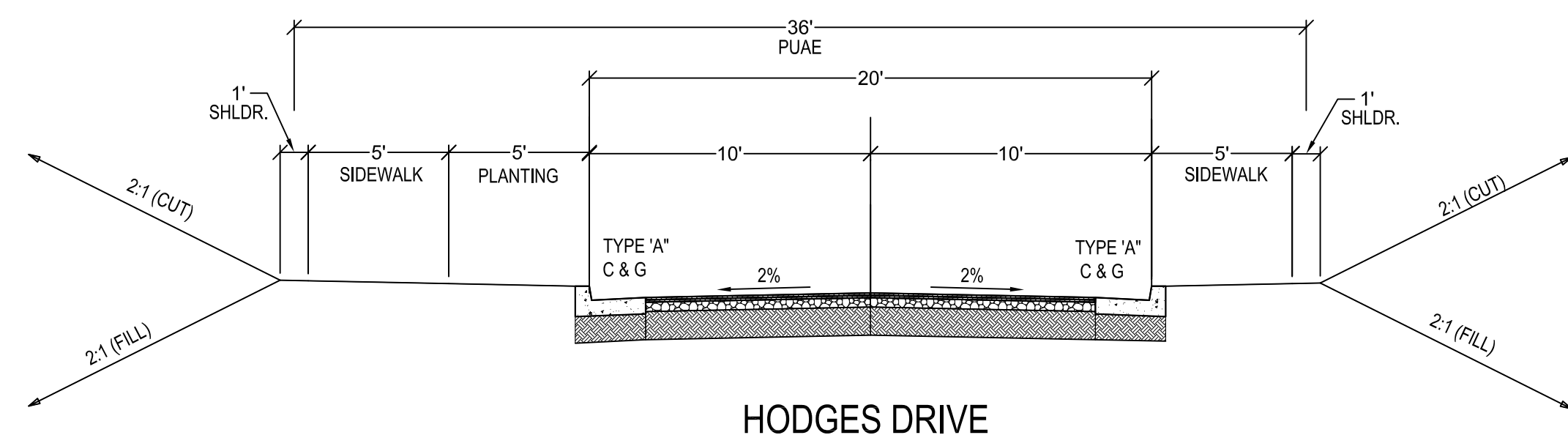
REV	DATE	DESCRIPTION
	10.05.2015	PLANNING SUBMITTAL SET
	05.16.2016	PLANNING RESUBMITTAL SET
	01.31.2020	PLANNING / MP RESUBM SET

THE SEMINARY
201 SEMINARY DRIVE
MILL VALLEY, CA 94941

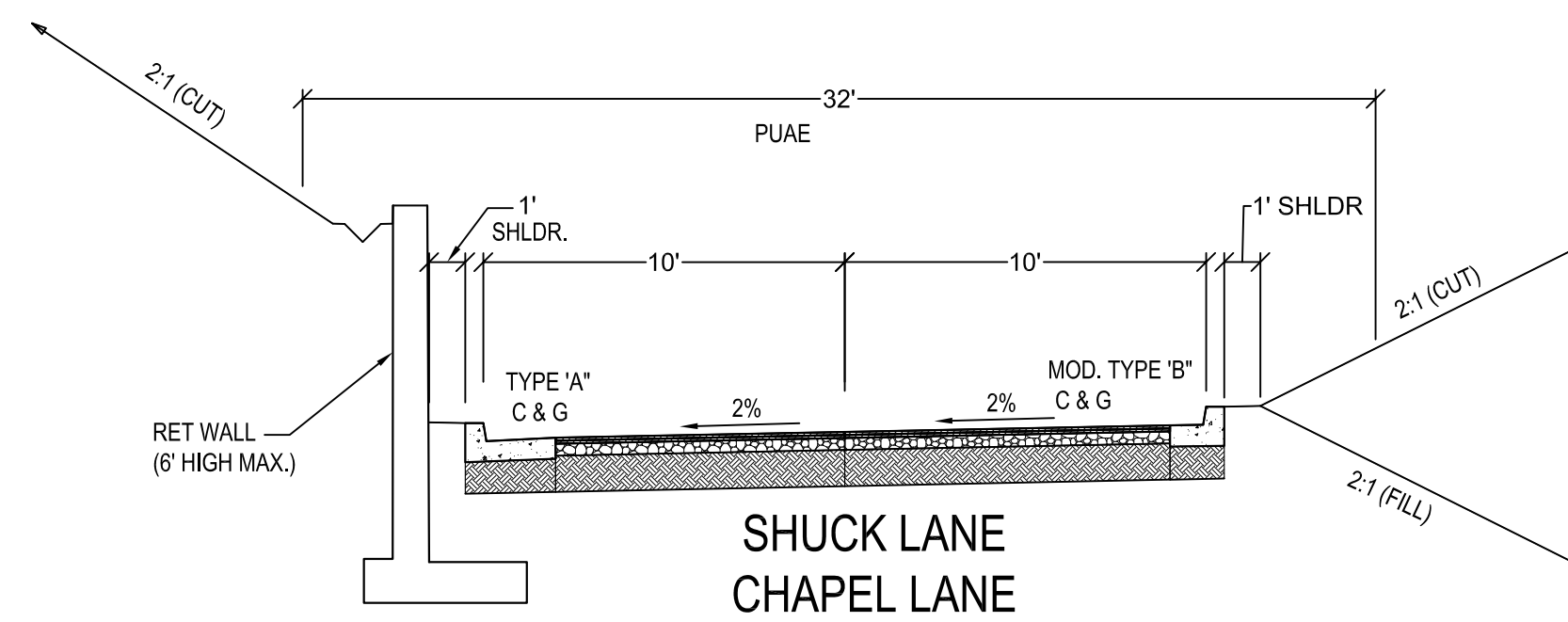
UTILITY PLAN
WEST & SOUTH
1" = 80'

SITE / BLDG. TYPE
00
SHEET NO.
C8.20

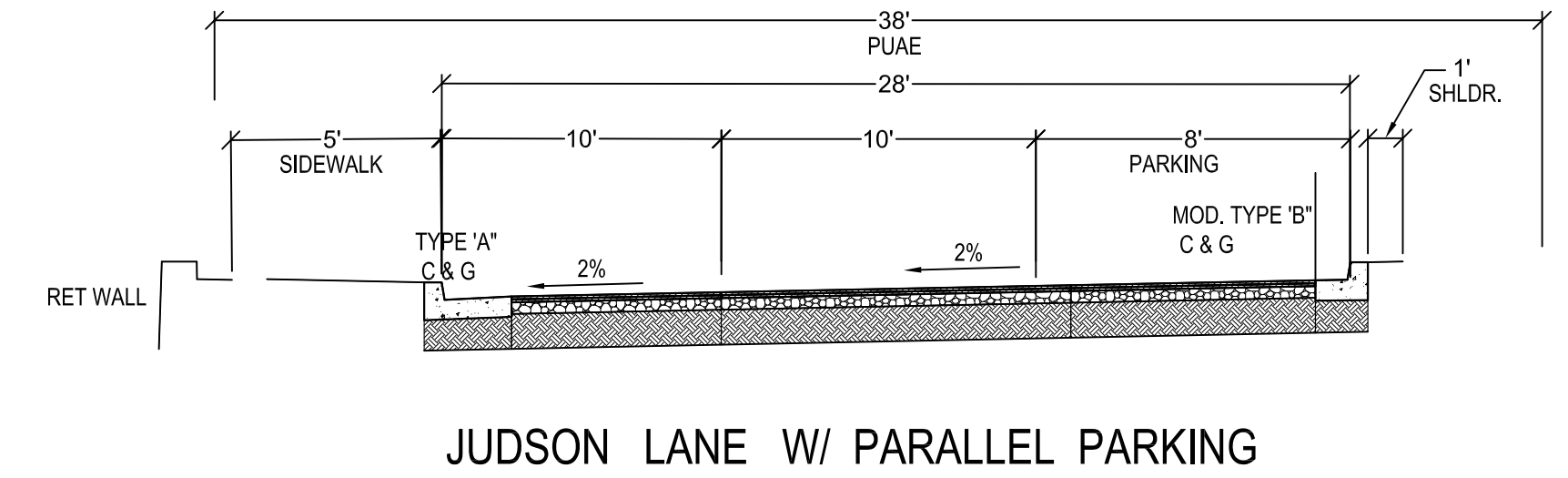




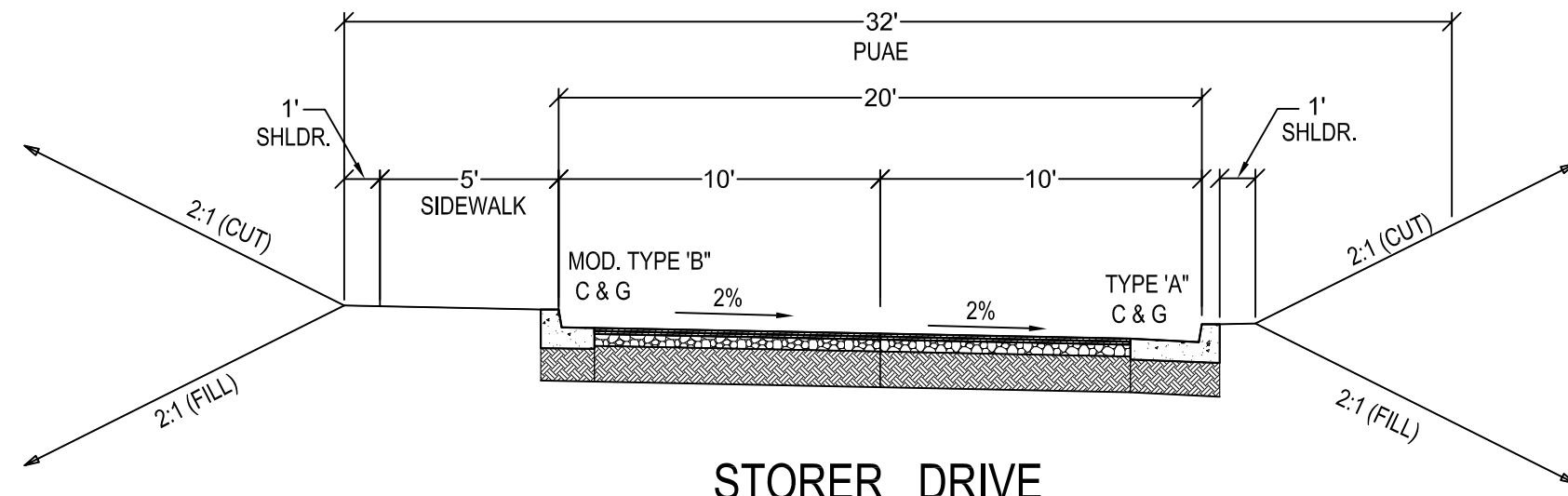
HODGES DRIVE



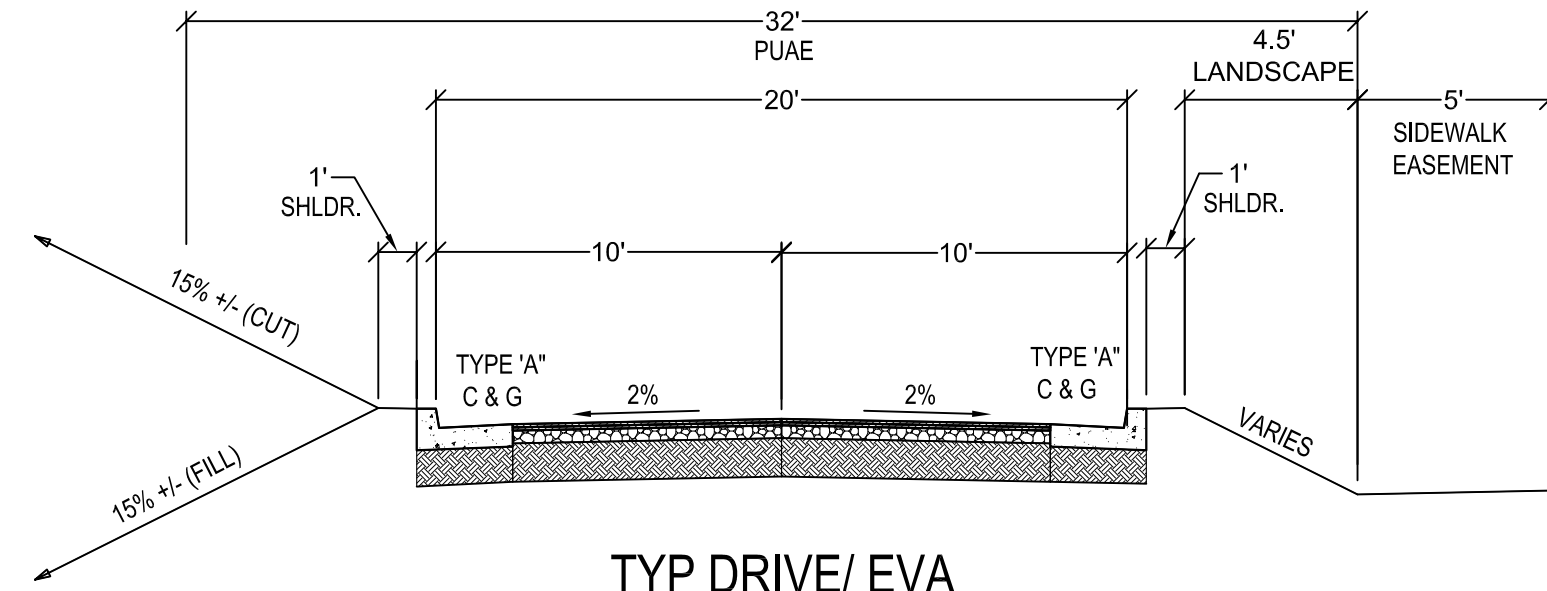
SHUCK LANE
CHAPEL LANE



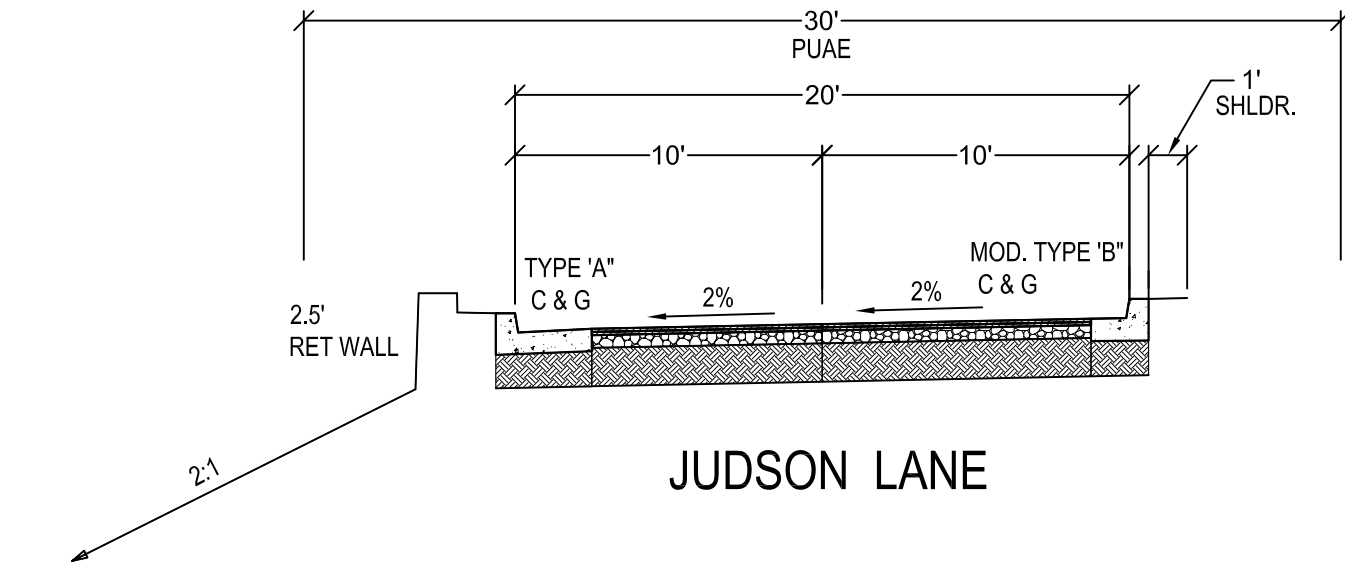
JUDSON LANE W/ PARALLEL PARKING



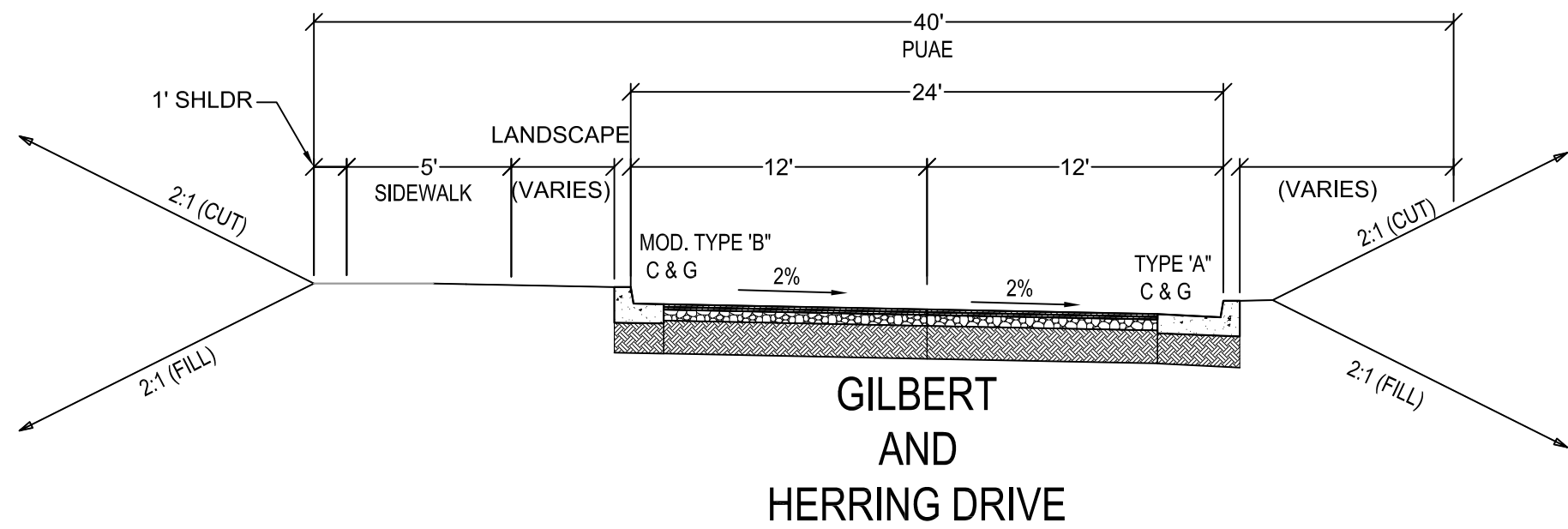
STORER DRIVE



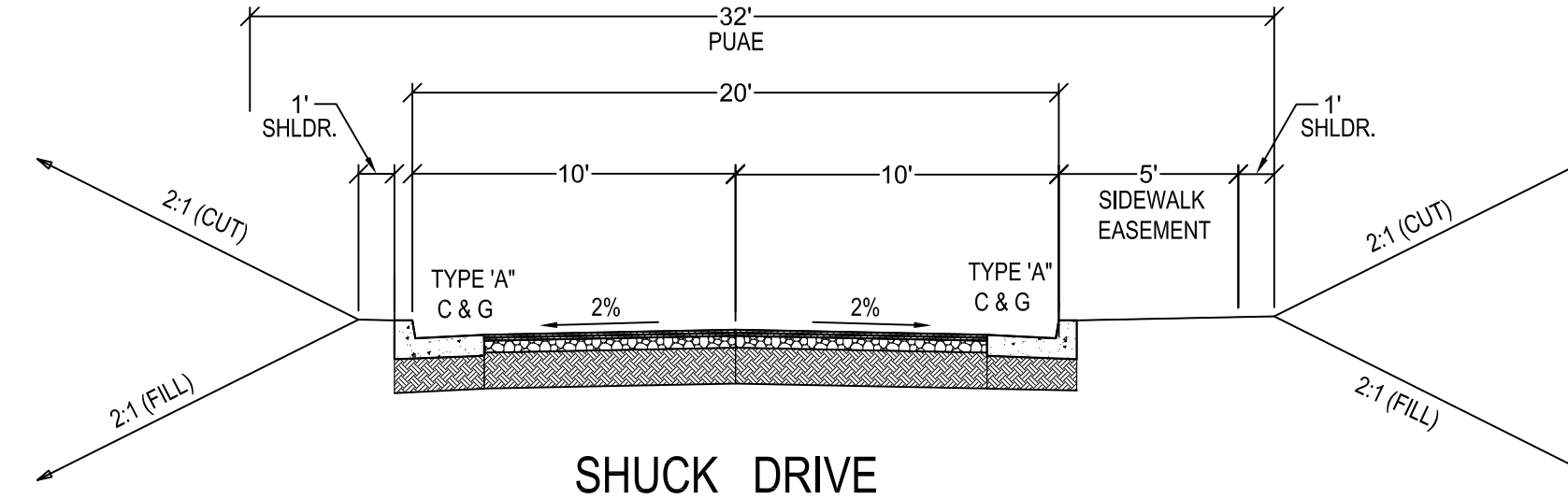
TYP DRIVE/EVA



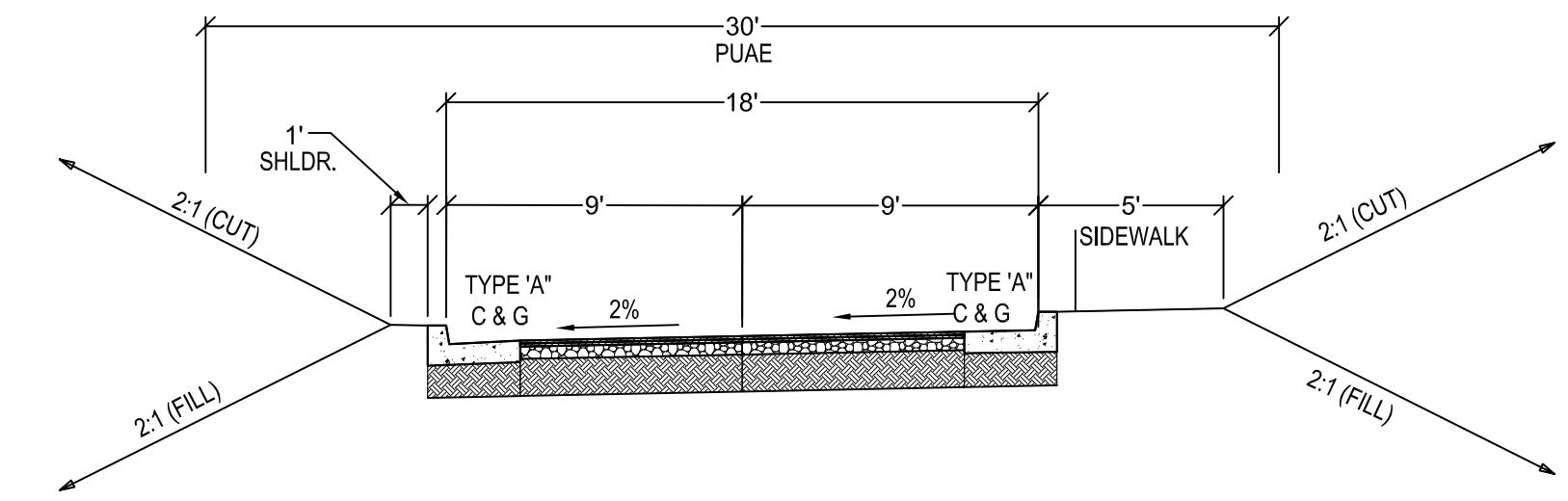
JUDSON LANE



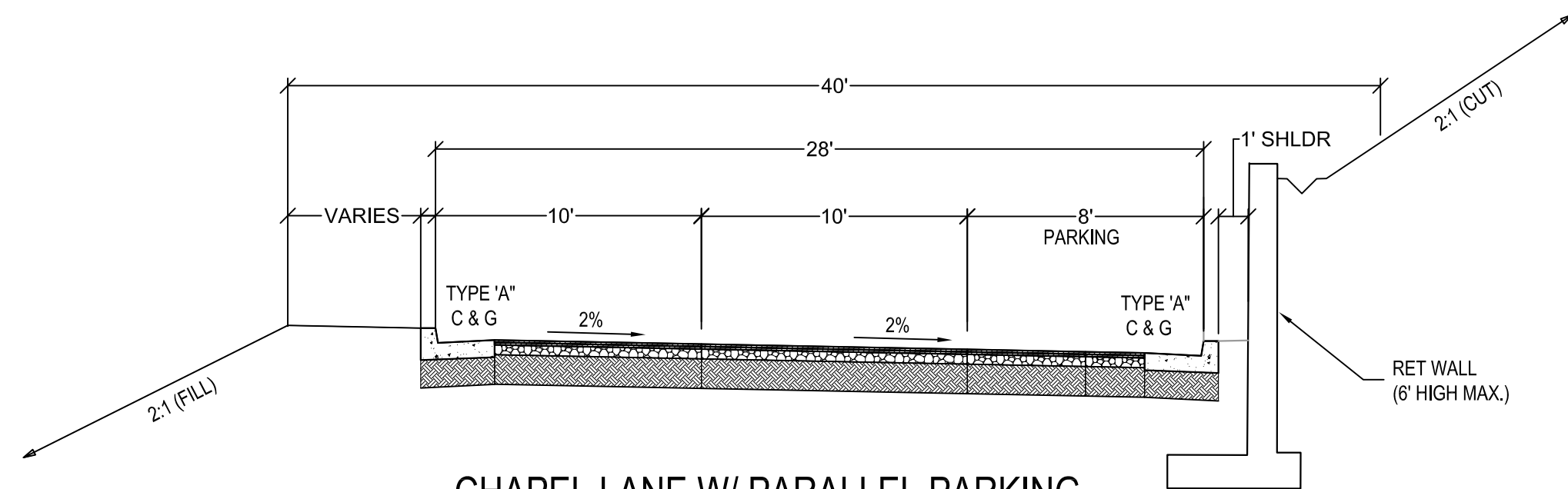
GILBERT
AND
HERRING DRIVE



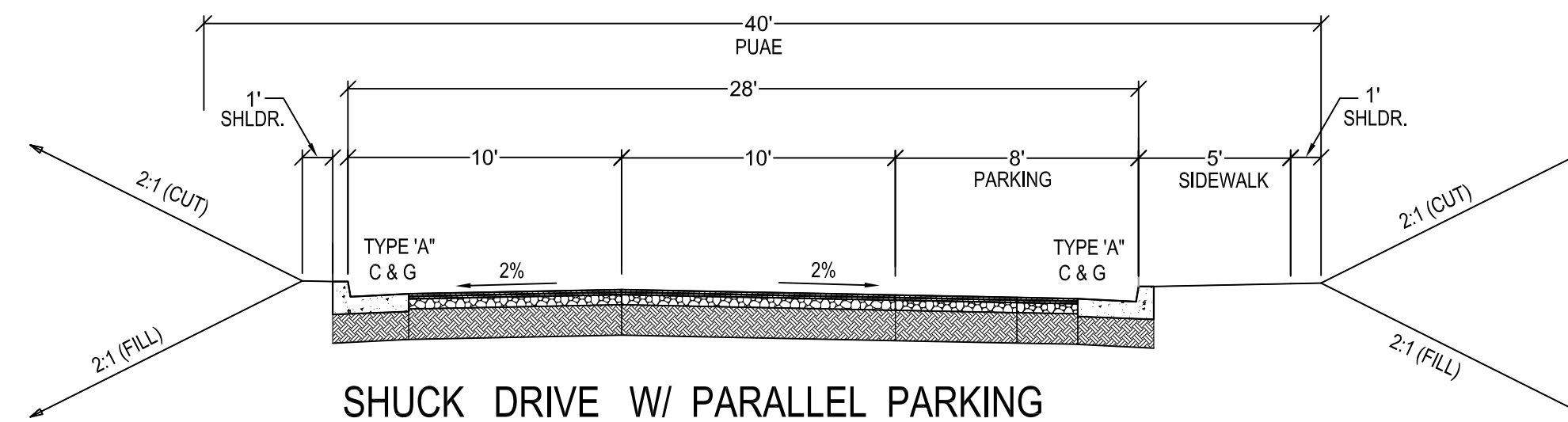
SHUCK DRIVE



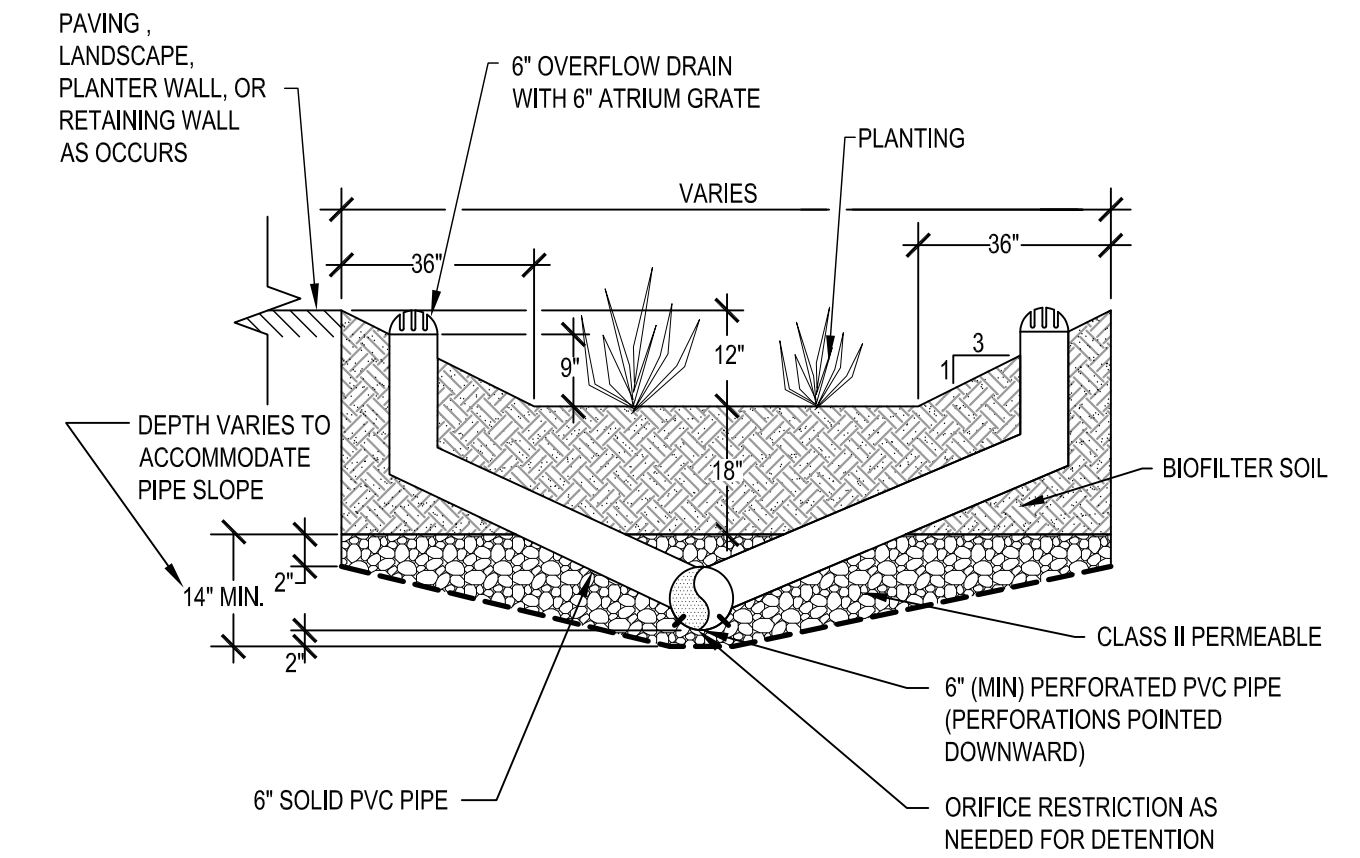
GREEN LANE



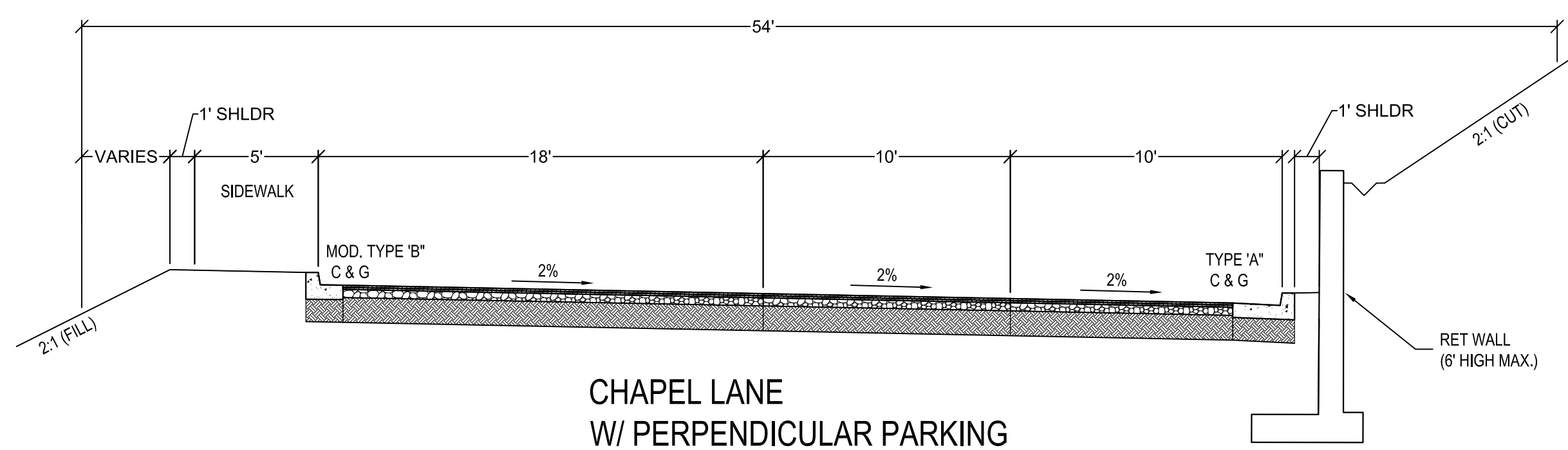
CHAPEL LANE W/ PARALLEL PARKING



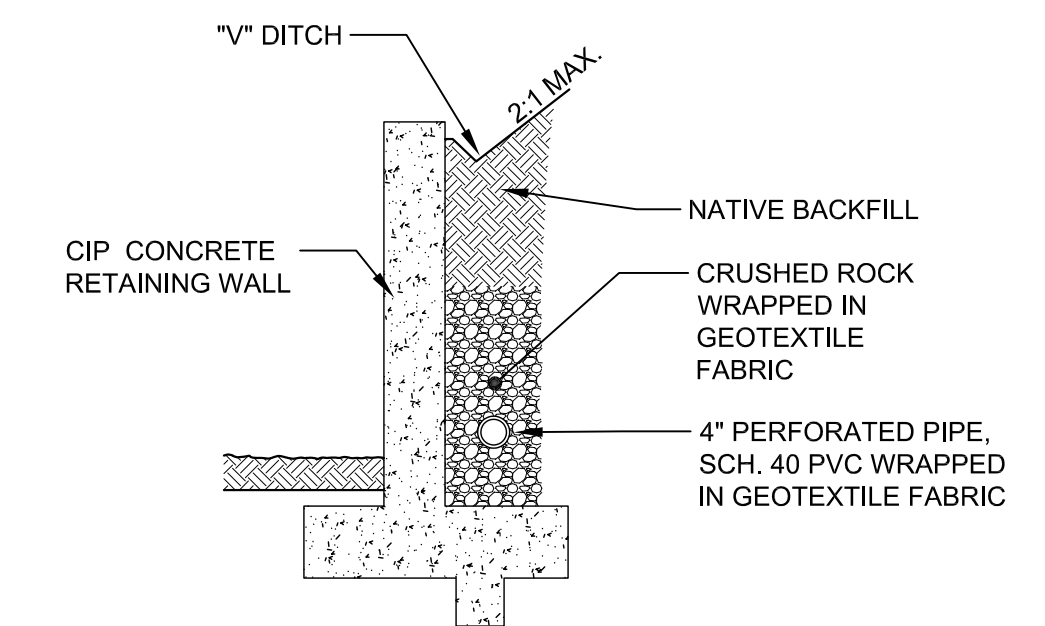
SHUCK DRIVE W/ PARALLEL PARKING



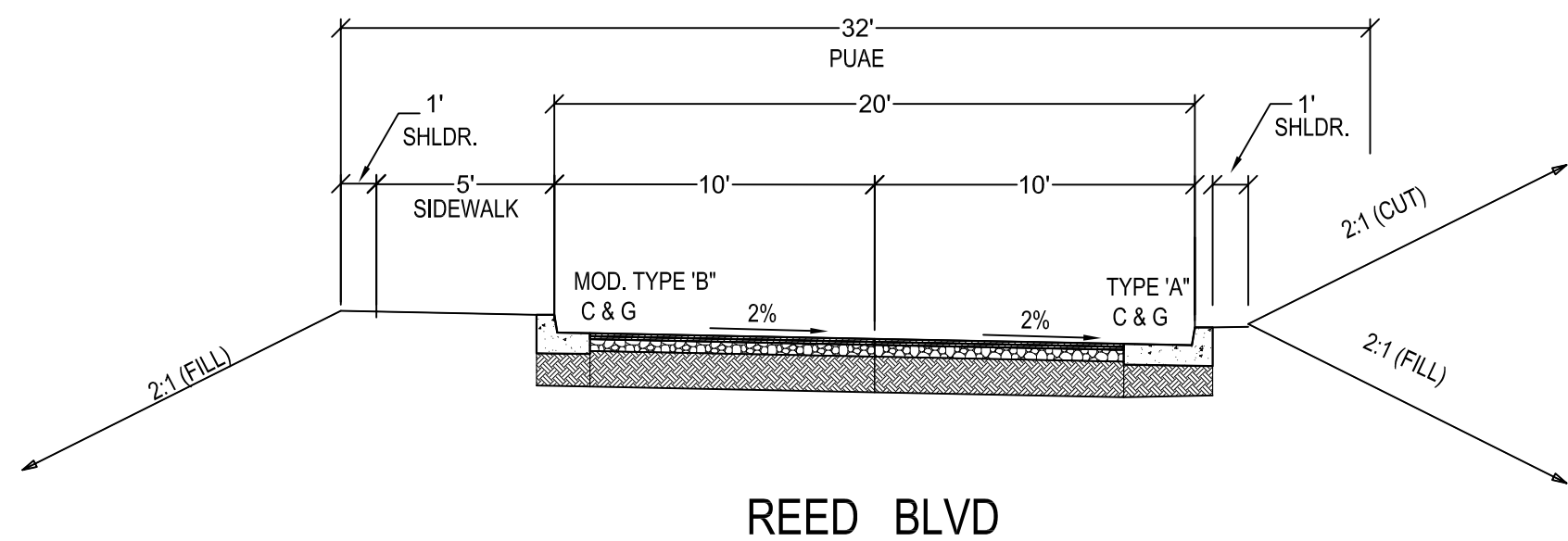
VEGETATED FLOW-THROUGH STORMWATER TREATMENT (TYP)



CHAPEL LANE
W/ PERPENDICULAR PARKING



TYPICAL RETAINING WALL DETAIL
CAST IN PLACE (CIP)



REED BLVD

REV	DATE	DESCRIPTION
10.05.2015		PLANNING SUBMITTAL SET
05.16.2016		PLANNING RESUBMITTAL SET
01.31.2020		PLANNING / MP RESUBM SET