

Keith C. Pepper, Esq.
DIRECTOR

DEPARTMENT OF

CHILD SUPPORT SERVICES

Establishing and enforcing child support orders, treating all parties with respect and serving the community through outreach and education.

April 15, 2014

Proposal to locate a cash/credit card kiosk on the court floor

Background:

Currently obligors who make cash payments for child support are required to come to our Novato office or can pay when our attorneys are in court on Tuesday afternoon and Thursday. These payments, require a significant amount of time and multiple employees to process the transaction - counting cash twice, validating the amount, generating multiple receipts, securing and transporting the cash back to the office in Novato to be counted again, verified, transported and deposited at the bank, validating the deposit and finally transmitting the payment electronically to the State Disbursement Unit (SDU) in Sacramento.

Proposal:

In an effort to make paying child support as fast and convenient as possible for our obligors and also save staff time, the proposal is to place a TouchPay kiosk on the court floor between courtroom N and O to provide a convenient, secure, and cost-effective method for people to make payments for child support and other county payments. This location was selected as child support cases are heard in courtroom N and room C-10 (just past courtroom O) is where the public pays traffic fines/fees. This also allows for payments to be made anytime the court floor is open. (We are also installing a kiosk at our office in Novato.)

With the TouchPay kiosk, the obligor enters his/her identifying information, deposits the cash into the kiosk, the receipt is generated and the payment is electronically transmitted to the SDU. Touchpay is responsible for servicing the kiosk and transmitting the funds.

The Kiosk can be programmed so the public can make payments for *numerous* county services and obligations. Initially the kiosk will be accepting payments for child support. The next program to be added is court fines and fees. Other departments have expressed interest including probation and the public defender.

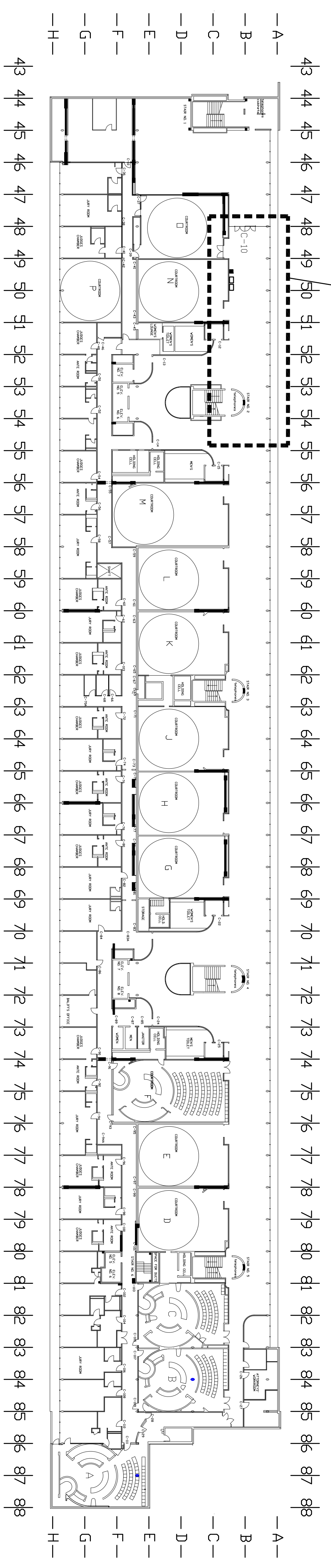
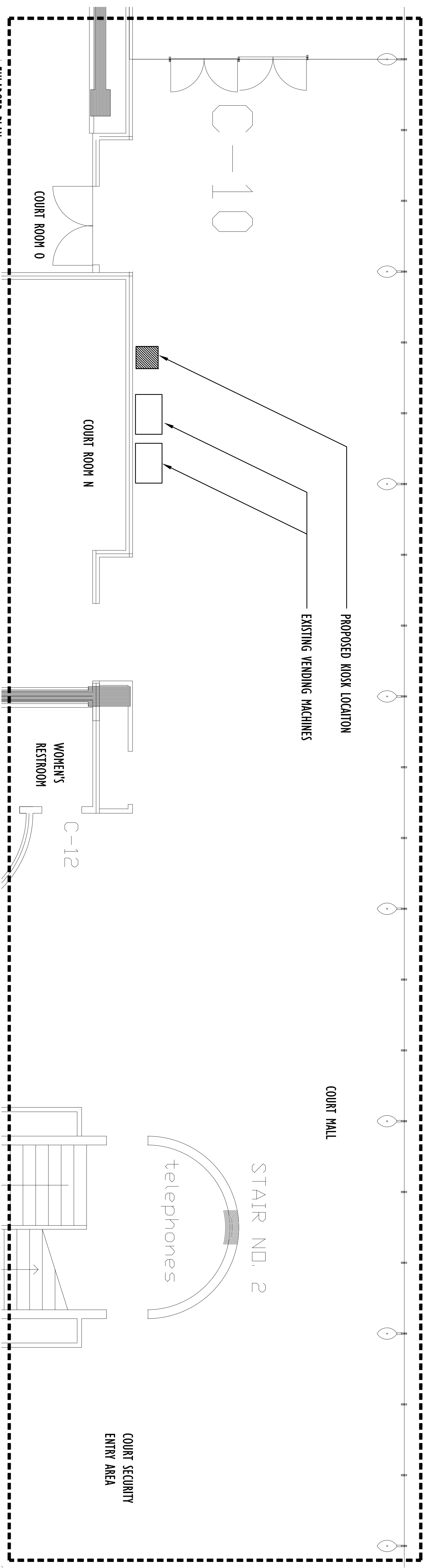
The kiosk also accepts debit/credit card transactions and later this year will be able to process checks. These are services that we do not currently provide when in court.

Size:

The dimensions of the kiosk are attached along with a schematic and photos of the proposed location. Existing power is adequate at the proposed location and a data line will be added by county IST. The kiosk meets ADA requirements.

Thank you for your consideration of this request.

Keith C. Pepper
Director

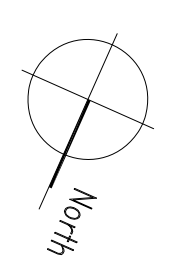


25 COURTS FLOOR PLAN - HJ67

SCALE: 1/32" = 1'-0"

HJ67.dwg

MARIN COUNTY CIVIC CENTER - HALL OF JUSTICE WING - COURT FLOOR - HJ67



REVIEWED	No. C
DRAWN BY:	DV
CHECKED BY:	
REVISIONS	
NO.	DATE

MARIN COUNTY DEPARTMENT OF PUBLIC WORKS
CAPITAL PROJECTS DIVISION

County of Marin
3501 Civic Center Drive, Room 404
San Rafael, California 94903

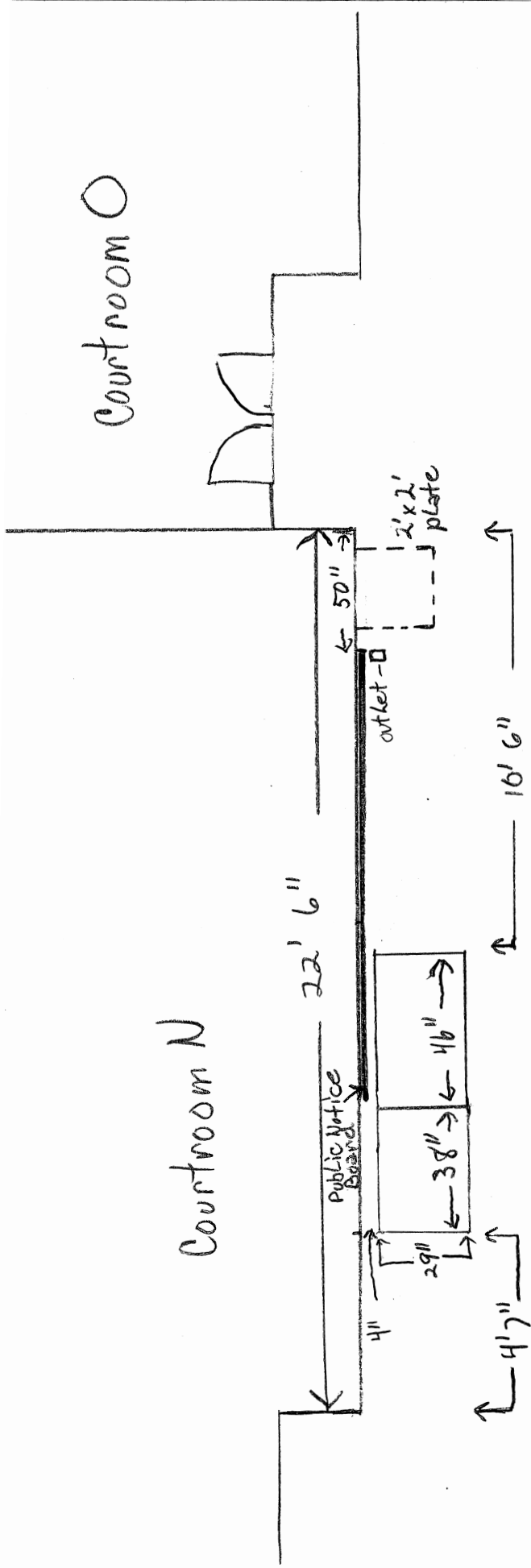
DATE ISSUED	
CAP.	
COURT PROJECT NUMBER	
FEDERAL AID NUMBER	
ROAD NO.	
MILE POST	
BUILDING NO.	

PROJECT INFO
MARIN COUNTY CIVIC CENTER
HALL OF JUSTICE WING - COURT FLOOR

SHEET TITLE
FLOOR PLAN

SHEET NO.	TOTAL SHEETS

DRAWING
HJ67



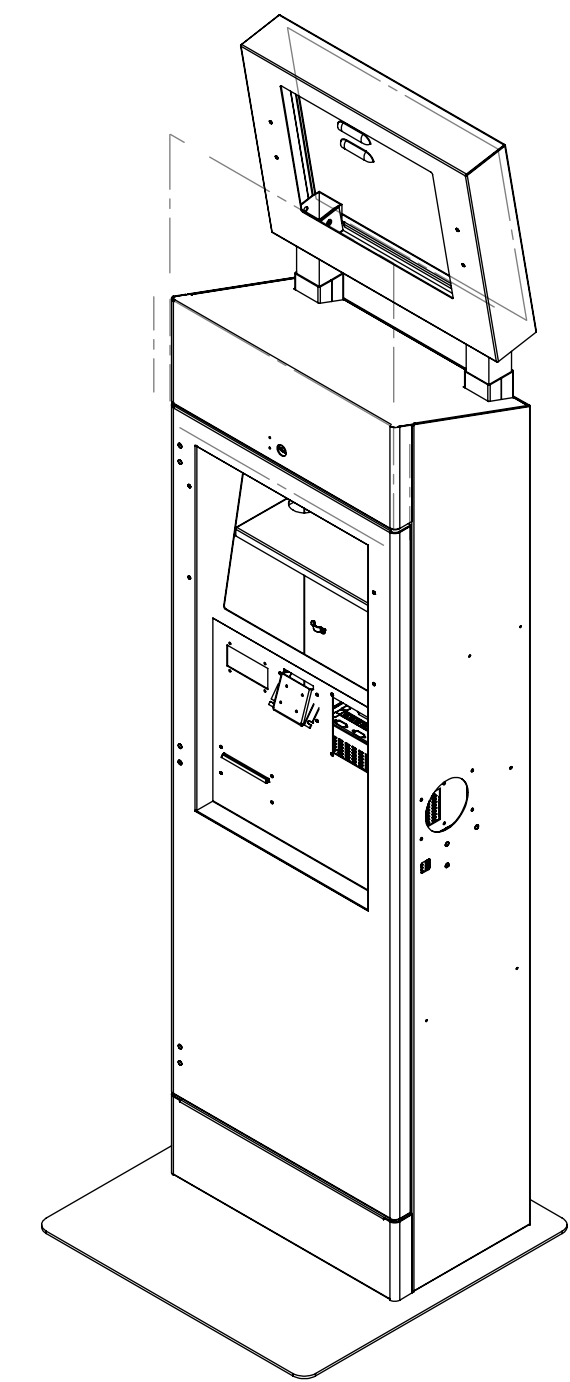
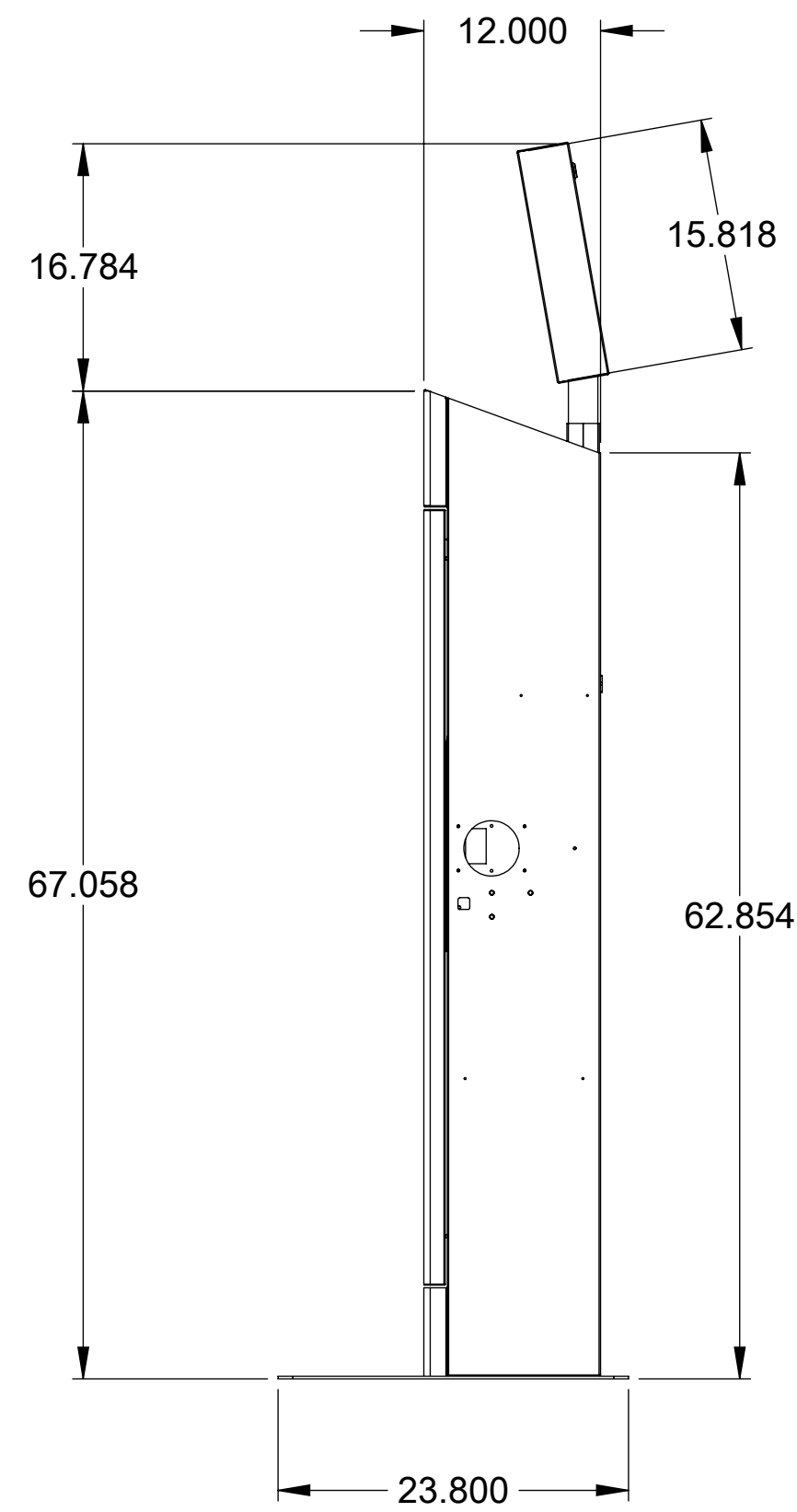
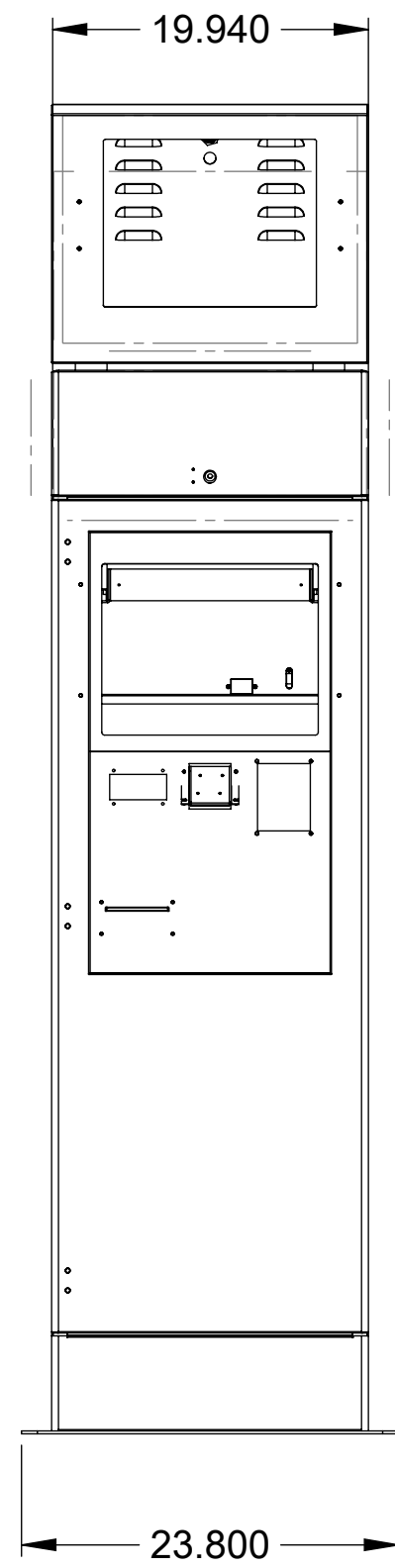
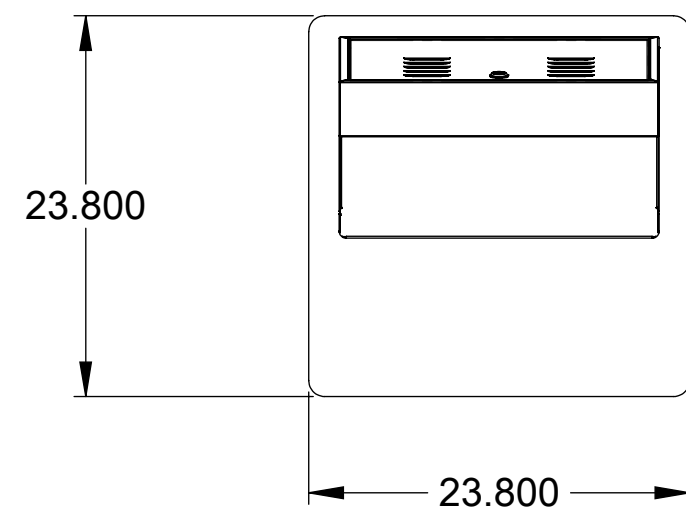
- Vending machines - 6' height
- Public Notice Sign begins 34" from the floor and ends @ 6' 10" from the floor

TouchPay Payment Kiosk Specifications



REVISIONS

LTR	DESCRIPTION	ENG	BY/DATE
B		RF	04/10/14



DIMS IN INCHES
 TOLERANCES- UNLESS OTHERWISE SPECIFIED
 X/X ±0.06
 X.X ±0.06
 X.XX ±0.03
 X.XXX ±0.010

ANGLES ±1°

MATERIAL FINISH
NOTED

APPROVALS DATE
 DRAWN
 CHECKED
 ENGINEER

SIZE SCALE DWG REV
C E010049 **B**

TOUCHPAY

LOBBY KIOSK 4 FUNCTION



With kiosk (simulated)