



# Marin County Free Library

# Civic Center Branch Library

FLW Conservancy

May 22, 2013





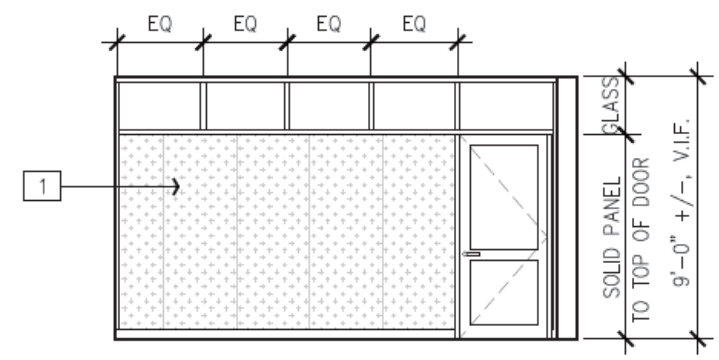
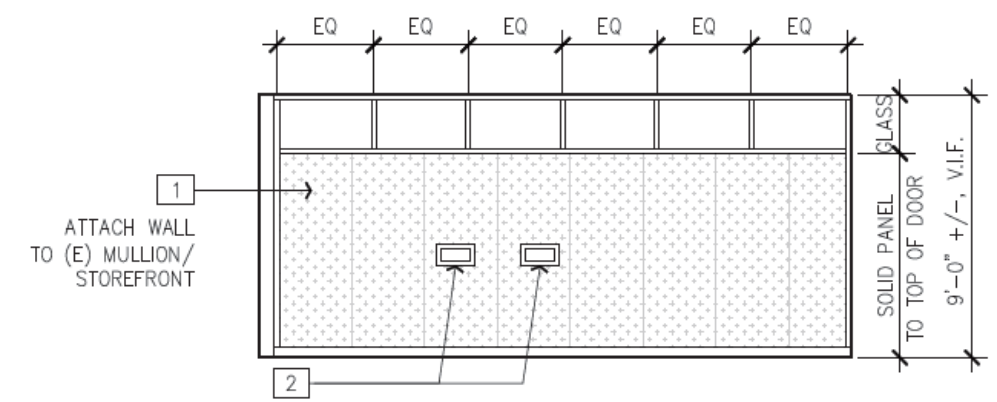
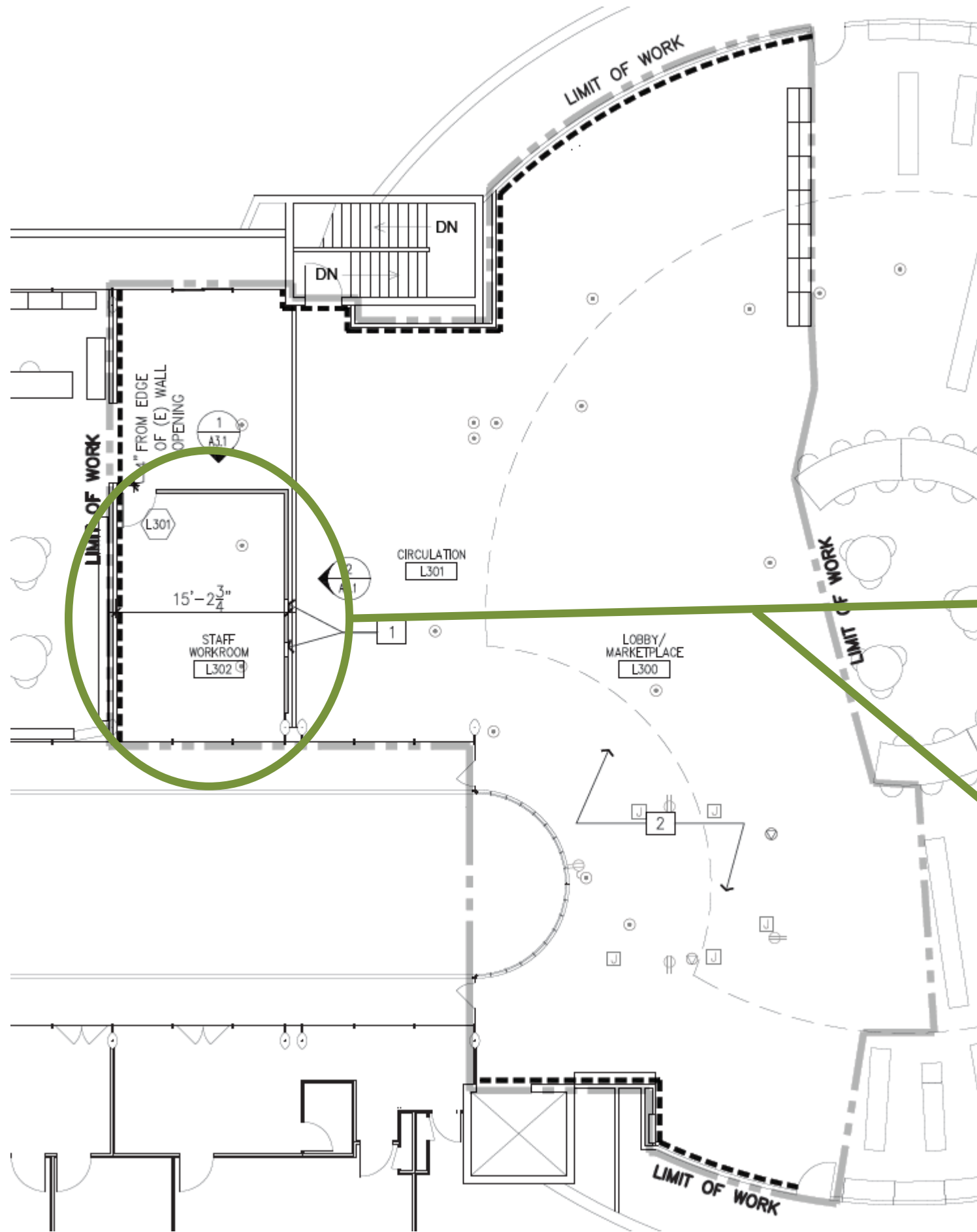
Remove shelving,  
reuse/store as needed

Remove (e) staff furniture  
and desk

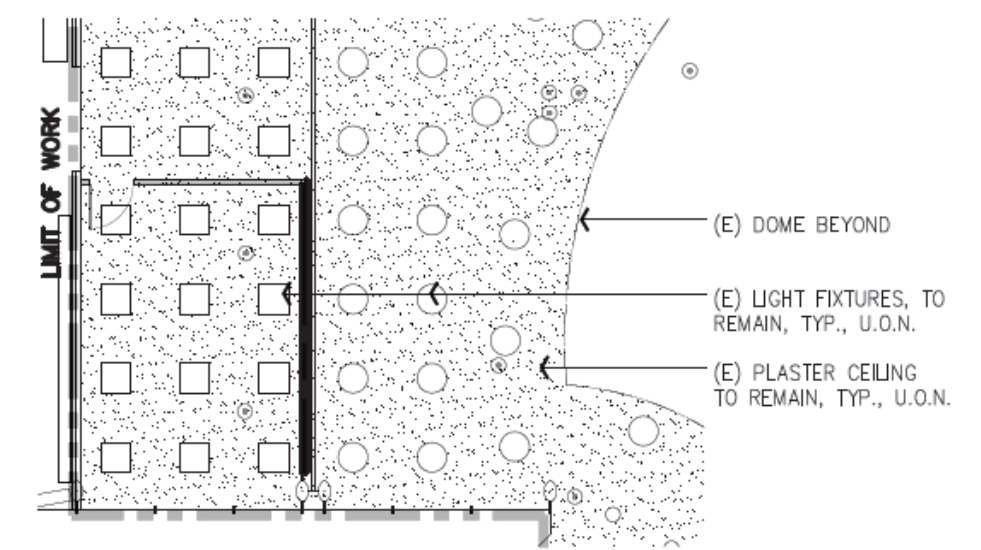
Remove (e) tables  
(reuse chairs)

Remove (e) service desk and  
flooring

# CCE Demo Plan

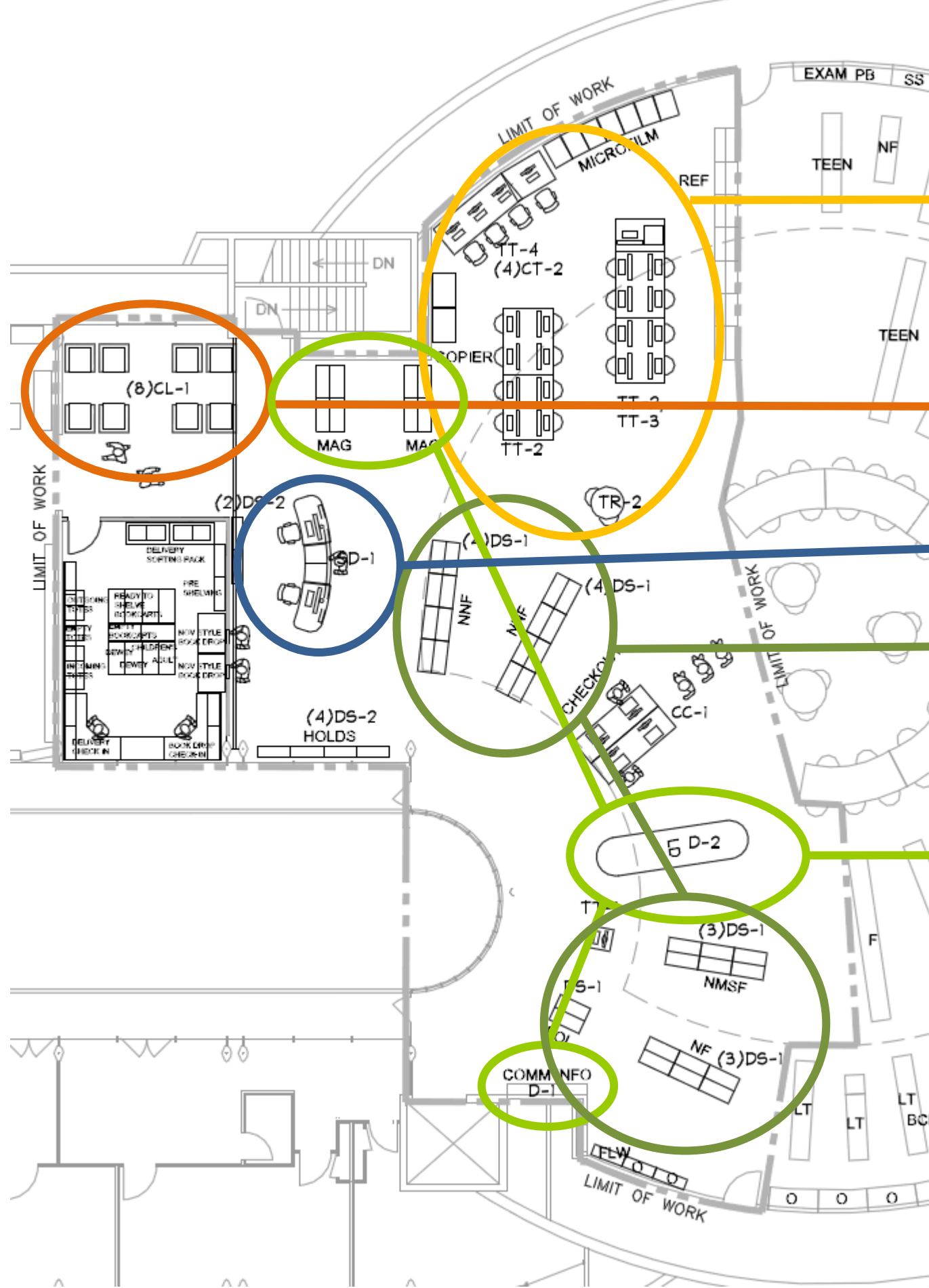


ELEVATIONS of (N) Interior Walls



REFLECTED CEILING PLAN

# CCE New Plan



(N) READER and  
COMPUTER TABLES  
(reused (e) chairs)

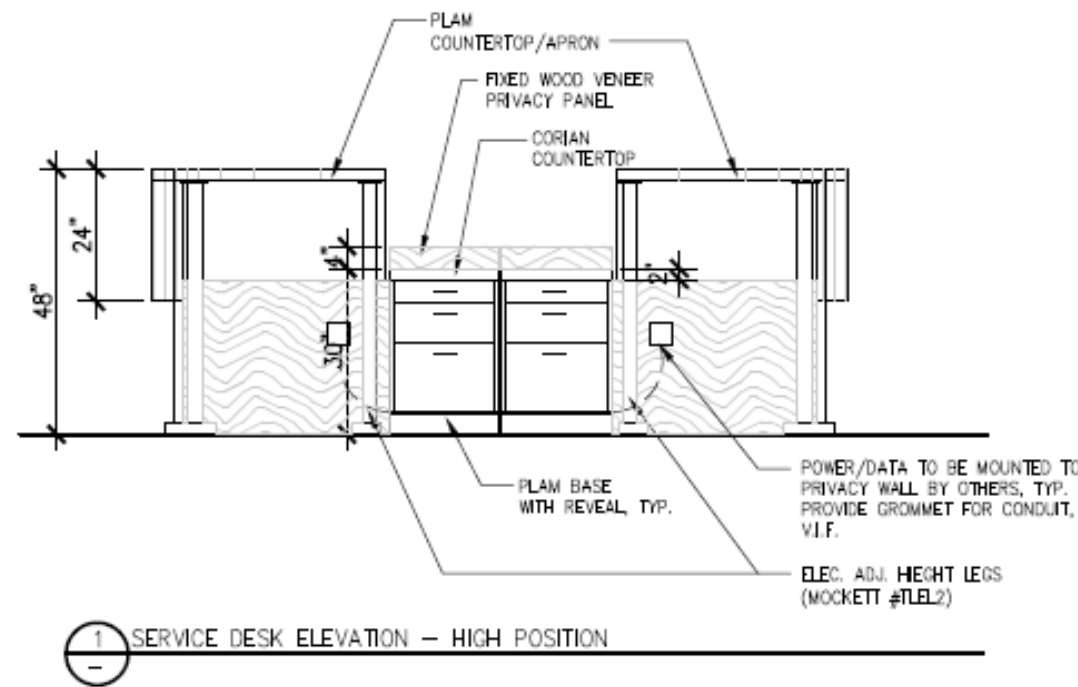
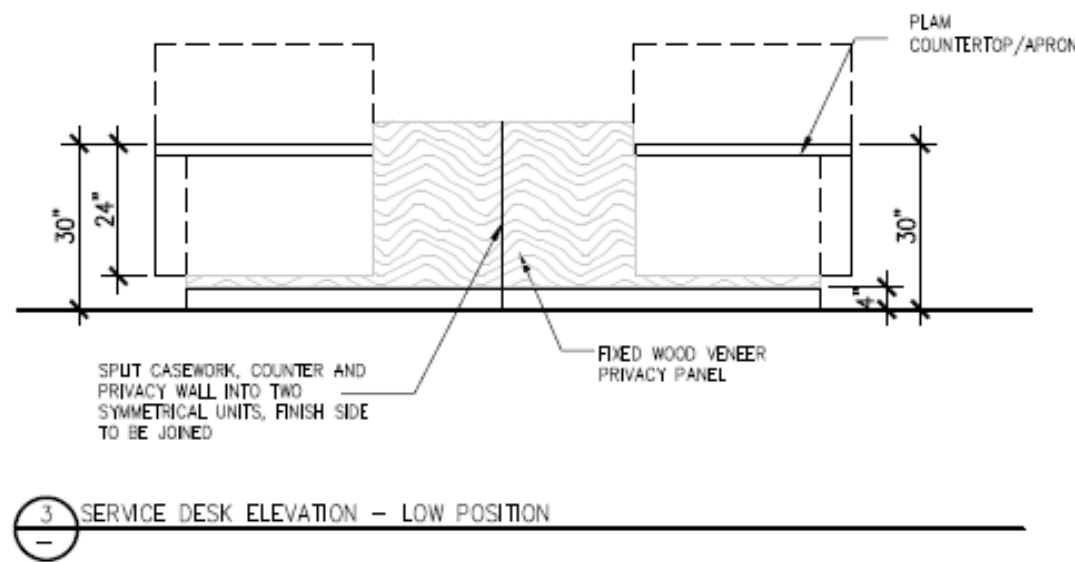
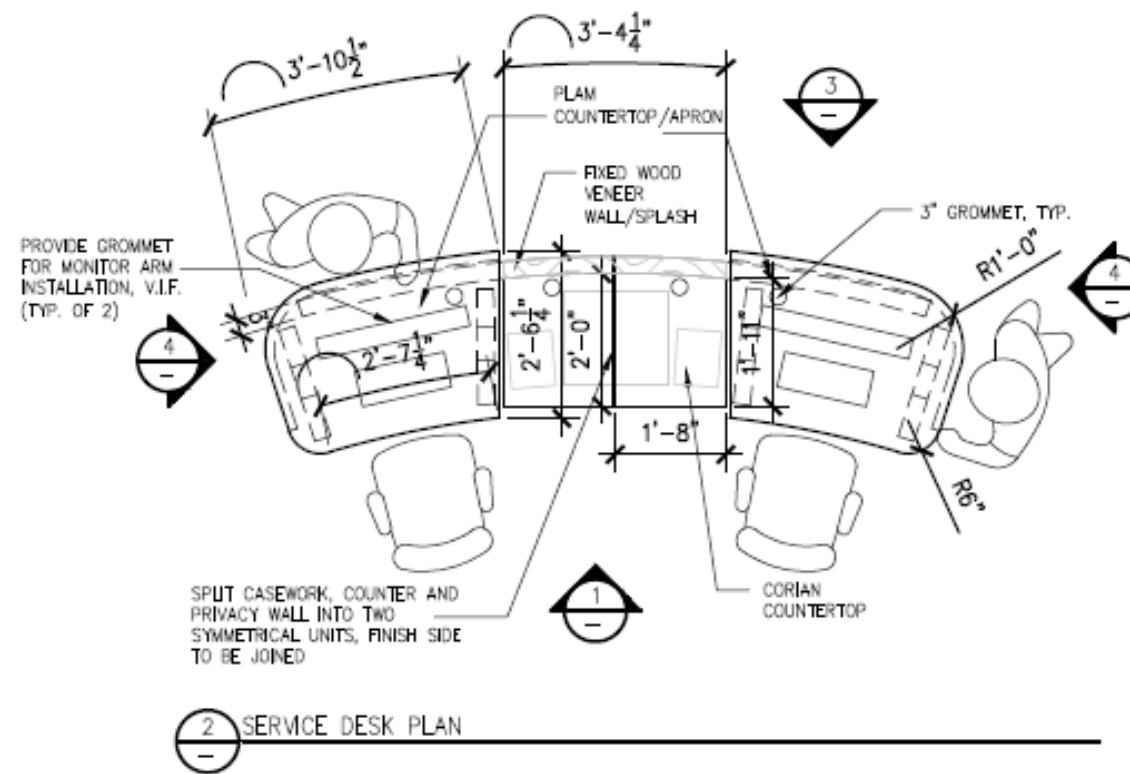
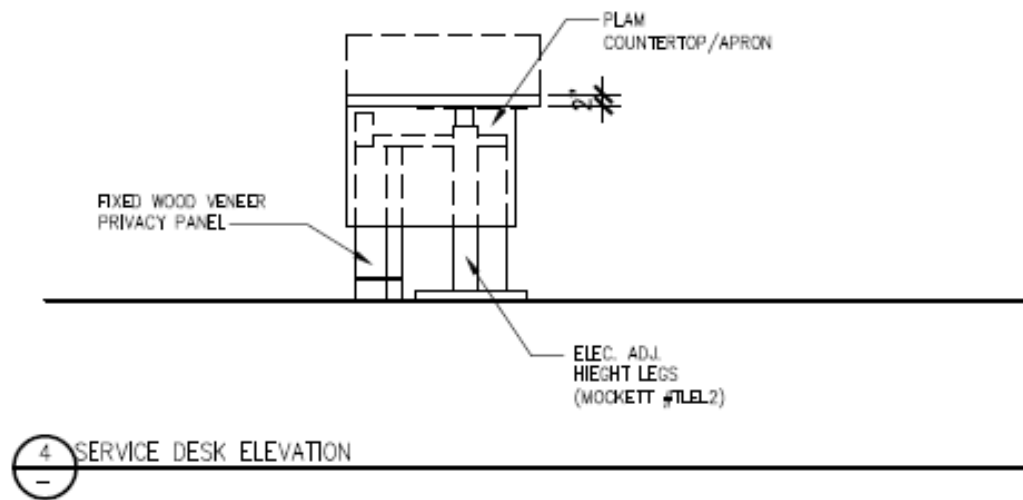
(N) LOUNGE CHAIRS

(N) SERVICE DESK

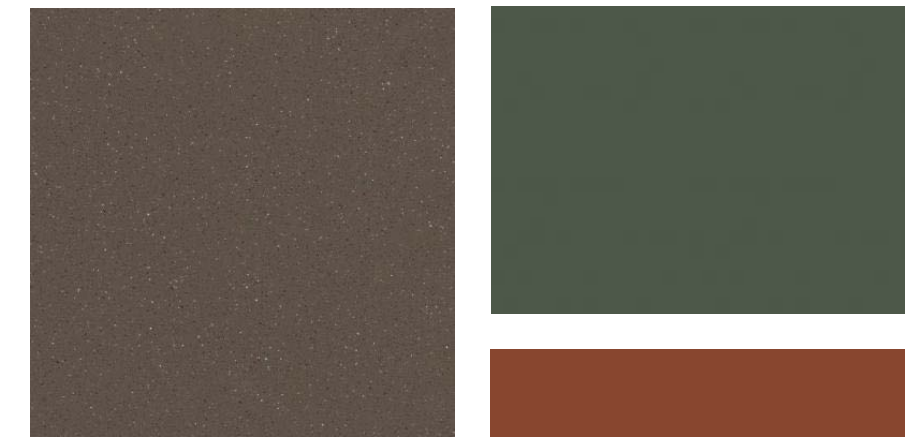
(N) MOBILE DISPLAY  
SHELVING

(E) SHELVING – to be  
refinished

# CCE Furniture Plan



wood: to match (e) historic  
 countertop: Corain Medea  
 base: painted Taliesin red  
 accent: Laminate Abet 488



- Increase surface area of desk by 12" on each side
- Add one more unit for drawers in the middle
- 26" min. adjustable height table
- Increase "backsplash" from 4" to 10"



GROUP 4

# Service Desk

CIVIC CENTER LIBRARY

worden

## PINFAST MOBILE DISPLAY SHELVING (with locking casters and skirt)



1<sup>st</sup> choice

wood: to match (e) historic



Fleetwood - **alternate**  
ENCORE MOBILE DISPLAY SHELVING  
(with locking casters and skirt)

# Mobile Shelving



GROUP 4

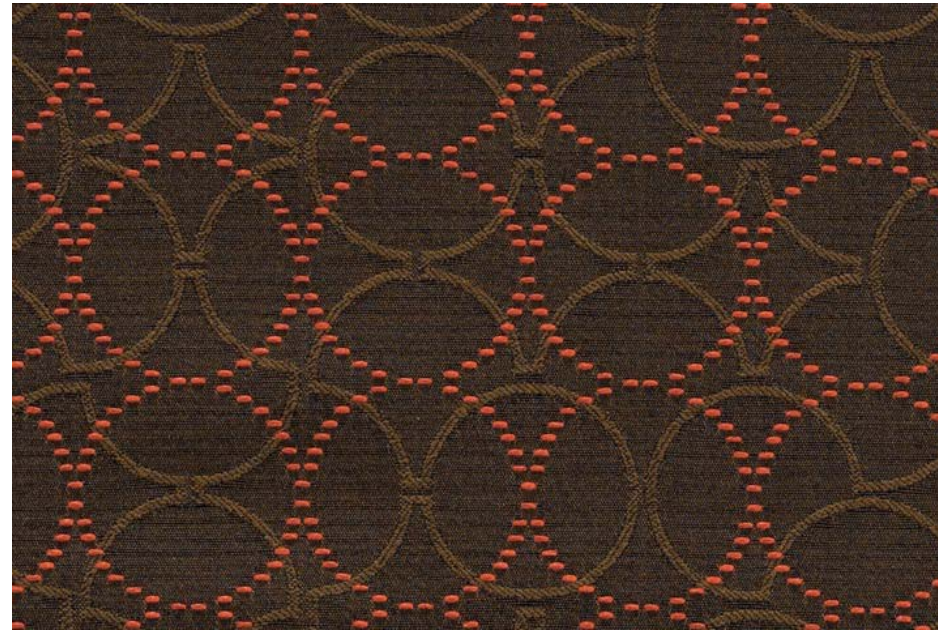
CIVIC CENTER LIBRARY

haworth

TO DO

with casters + tablet (no cupholder)

wood: to match (e) historic  
fabric, Maharam Plait 005



# Lounge Chair

agati  
ANTRIM  
square edge



with screen shown in  
image below



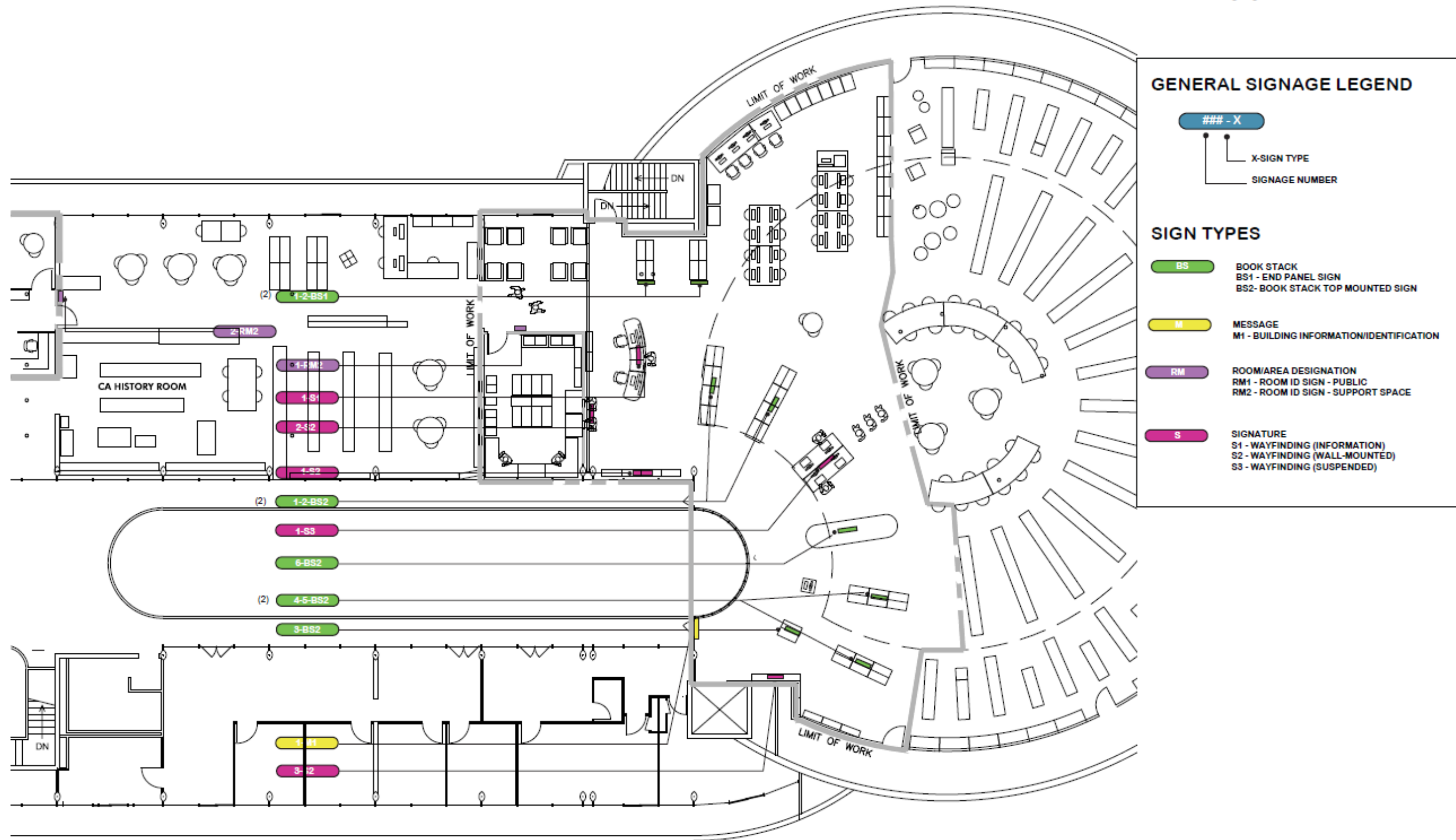
curved top for computer tables (see images to the left)  
rectangular top for microfilm reader table  
wood top: to match (e) historic  
legs: painted Taliesin red  
middle screen: 10" high translucent Taliesin red  
(no screen for microfilm reader table)

## Reader and Computer Table



NOTES

1. See G1.0 for signage schedule and G3.3 for detail drawings.



# CCE Signage Plan

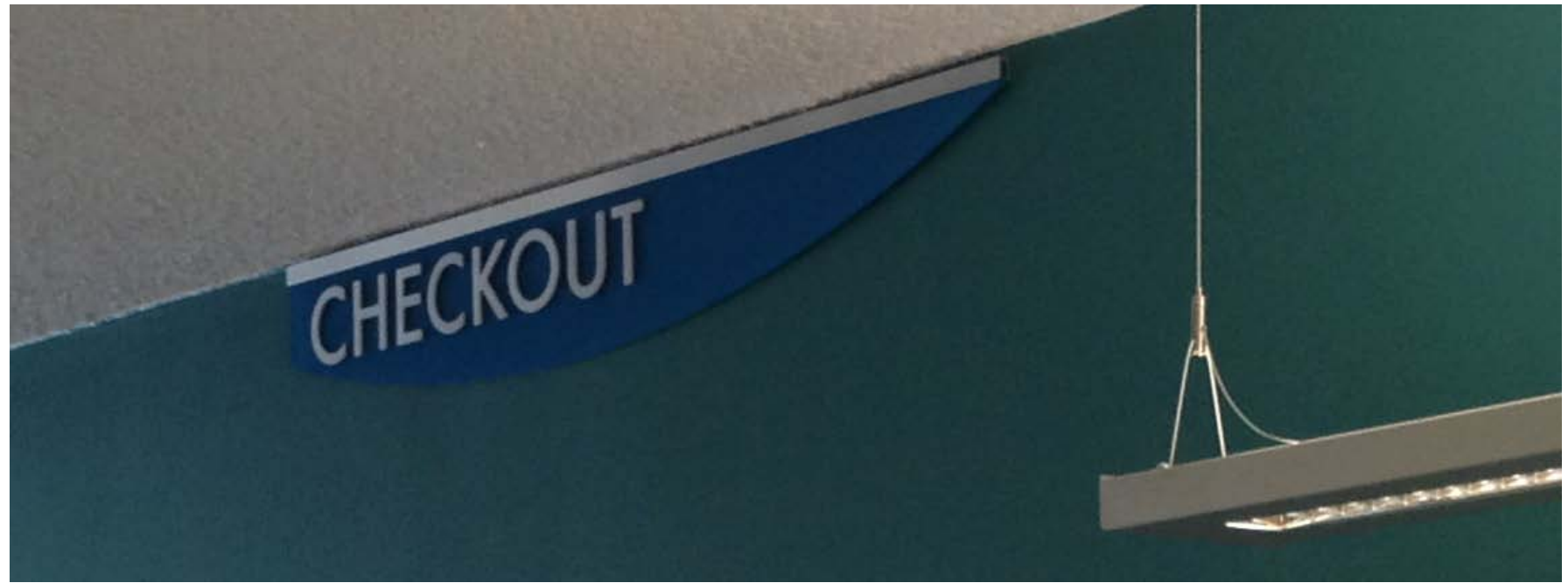


GROUP 4

CIVIC CENTER LIBRARY

**i** INFORMATION

HELP DESK



NEW BOOKS

STUDY ROOM

muted MCFL colors



anodized gold/605 brass letters and base

**Signage**